

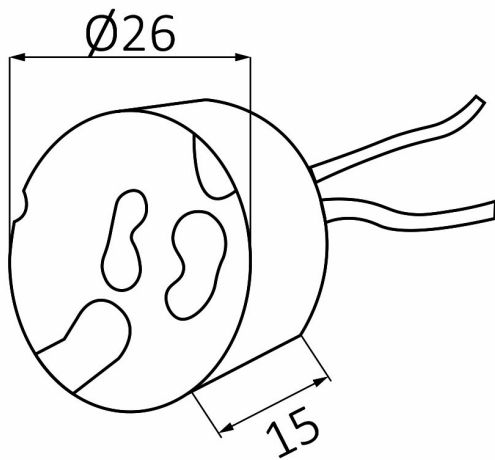
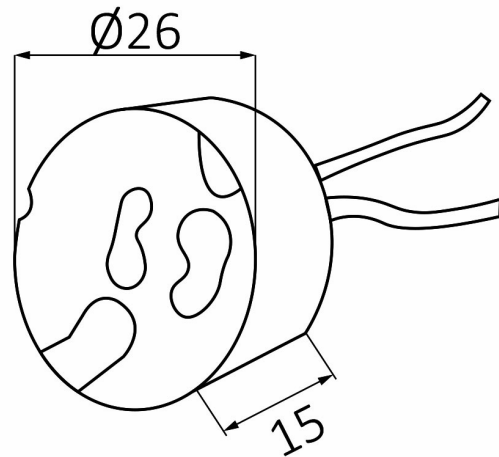
PRODUCT DATASHEET

MODEL NO

GU10-15

DESCRIPTION

BRY-GU10-15CM -LAMPHOLDER



General Characteristics

Model No	:	GU10-15
Main Family	:	Others
Sub Family	:	Socket
Type	:	Lampholder
Body Color	:	White
Socket	:	GU10
IP	:	IP20

Dimensions & Weight

Diameter	:	26 mm
P. Height	:	15 mm
Weight	:	13 gr

Electrical Characteristics

Voltage	:	230V
Material	:	Ceramic
Working Temperature	:	-20 C+40 C
Frequency	:	50-60 Hz
Cable Cross Section	:	0.5 mm ²

Package Informations

N.W.	:	13,00 kgs
G.W.	:	14,50 kgs
PCS/CTN	:	1000 pcs
Length	:	430 mm
Width	:	310 mm
Height	:	210 mm
EAN	:	5949097721724