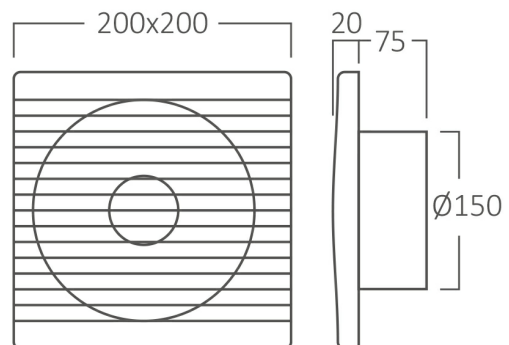


Braytron

PRODUCT DATASHEET

MODEL NO BZ01-00030

DESCRIPTION BRY-ELK-FAN-150MM-6"-SQR-EXHAUST FAN



BRAYTRON SRL

Bulavardul iuliu maniu, Nr.616, Sector 6, 061129, Bucuresti-ROMANIA

info@braytron.com

www.braytron.com

Page 1-2

General Characteristics

Model No	:	BZ01-00030
Main Family	:	Electrical
Sub Family	:	Fan
Type	:	Exhaust Fan
Body Color	:	White
Lamp Shape	:	N/A
Light Source	:	N/A
Warranty	:	2 years
Class	:	Class II
IP	:	IPX2
Noise	:	37 dB
Air-Flow	:	260 m3/h
Motor Rotation	:	2200 rpm
Size	:	6 inch

Electrical Characteristics

Voltage	:	220-240V
Material	:	ABS
Working Temperature	:	-20 C+40 C

Package Informations

N.W.	:	13,26 kgs
G.W.	:	16,50 kgs
PCS/CTN	:	20 pcs
Length	:	525 mm
Width	:	420 mm
Height	:	450 mm
EAN	:	5949097737824

Product Characteristics

Wattage	:	18 w
---------	---	------

Dimensions & Weight

P. Length	:	200 mm
P. Width	:	200 mm
P. Height	:	95 mm
Cutout	:	150 mm
Weight	:	663 gr