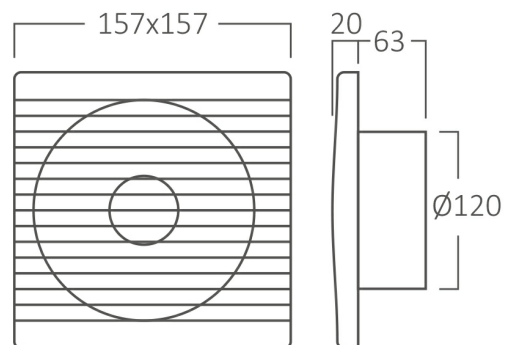


Braytron

PRODUCT DATASHEET

MODEL NO BZ01-00020

DESCRIPTION BRY-ELK-FAN-120MM-5"-SQR-EXHAUST FAN



BRAYTRON SRL

Bulavardul Iuliu Maniu, Nr.616, Sector 6, 061129, Bucuresti-ROMANIA

info@braytron.com

www.braytron.com

Page 1-2

General Characteristics

| | | |
|----------------|---|-------------|
| Model No | : | BZ01-00020 |
| Main Family | : | Electrical |
| Sub Family | : | Fan |
| Type | : | Exhaust Fan |
| Body Color | : | White |
| Lamp Shape | : | N/A |
| Light Source | : | N/A |
| Warranty | : | 2 years |
| Class | : | Class II |
| IP | : | IPX2 |
| Noise | : | 35 dB |
| Air-Flow | : | 160 m3/h |
| Motor Rotation | : | 2200 rpm |
| Size | : | 5 inch |

Electrical Characteristics

| | | |
|---------------------|---|------------|
| Voltage | : | 220-240V |
| Material | : | ABS |
| Working Temperature | : | -20 C+40 C |

Package Informations

| | | |
|---------|---|---------------|
| N.W. | : | 11,10 kgs |
| G.W. | : | 13,20 kgs |
| PCS/CTN | : | 20 pcs |
| Length | : | 455 mm |
| Width | : | 340 mm |
| Height | : | 360 mm |
| EAN | : | 5949097737817 |

Product Characteristics

| | | |
|---------|---|------|
| Wattage | : | 16 w |
|---------|---|------|

Dimensions & Weight

| | | |
|-----------|---|--------|
| P. Length | : | 157 mm |
| P. Width | : | 157 mm |
| P. Height | : | 83 mm |
| Cutout | : | 120 mm |
| Weight | : | 555 gr |