

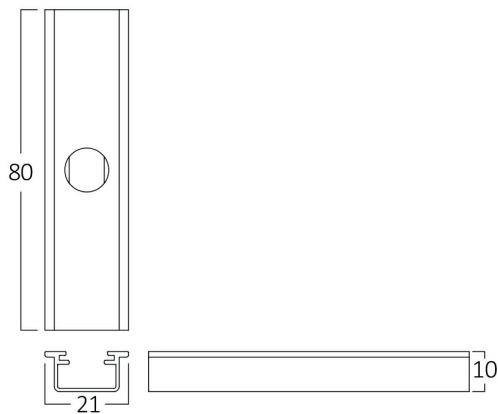
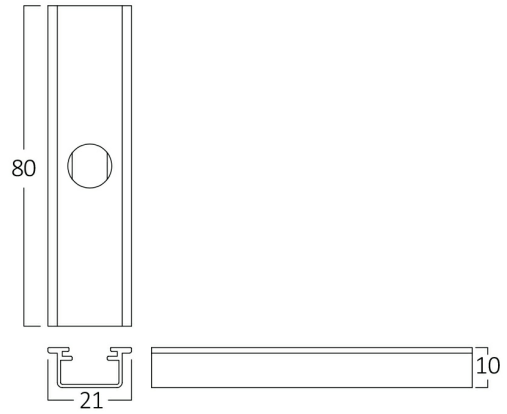
PRODUCT DATASHEET

MODEL NO

BY41-80101

DESCRIPTION

BRY-SD01-BLC-MAG.PENDANT PART



General Characteristics

Model No	:	BY41-80101
Main Family	:	Track Lighting
Sub Family	:	Trackrails
Type	:	Schuko Socket
Body Color	:	Black
Lamp Shape	:	N/A
Light Source	:	N/A
Warranty	:	2 years
IP	:	IP20

Dimensions & Weight

P. Length	:	1500 mm
P. Width	:	21 mm
P. Height	:	10 mm
Weight	:	39 gr

Electrical Characteristics

Material	:	Metal
Working Temperature	:	-20 C+40 C
Current	:	16 A

Package Informations

N.W.	:	1,95 kgs
G.W.	:	2,20 kgs
PCS/CTN	:	50 pcs
Length	:	225 mm
Width	:	225 mm
Height	:	145 mm
EAN	:	5949097738937