

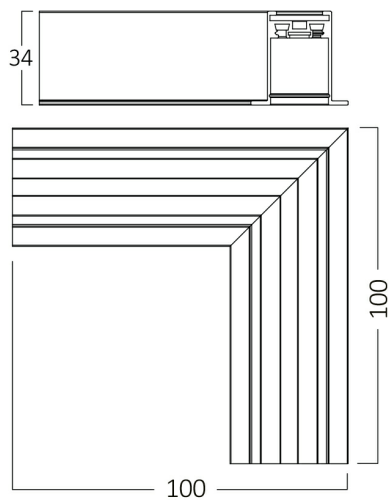
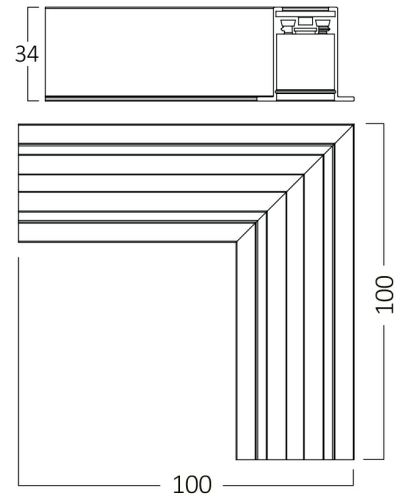
PRODUCT DATASHEET

MODEL NO

BY41-10711

DESCRIPTION

BRY-RCC02-CR-1-BLC-MAG.RAIL



General Characteristics

Model No	:	BY41-10711
Main Family	:	Track Lighting
Sub Family	:	Trackrails
Type	:	Mag.Rail
Body Color	:	Black
Lamp Shape	:	N/A
Light Source	:	N/A
Warranty	:	2 years
IP	:	IP20

Dimensions & Weight

P. Length	:	100 mm
P. Width	:	100 mm
P. Height	:	34 mm
Weight	:	74 gr

Electrical Characteristics

Material	:	Aluminium
Working Temperature	:	-20 C+40 C

Package Informations

N.W.	:	0,74 kgs
G.W.	:	1,10 kgs
PCS/CTN	:	10 pcs
Length	:	500 mm
Width	:	125 mm
Height	:	130 mm
EAN	:	5949097738838