

Braytron

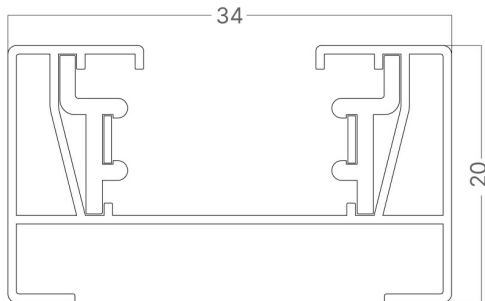
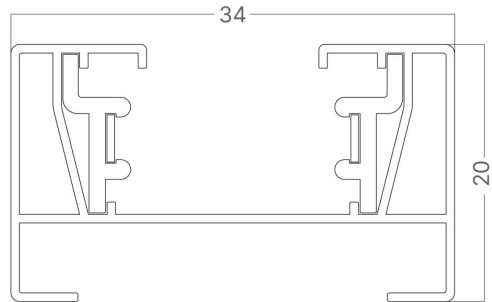
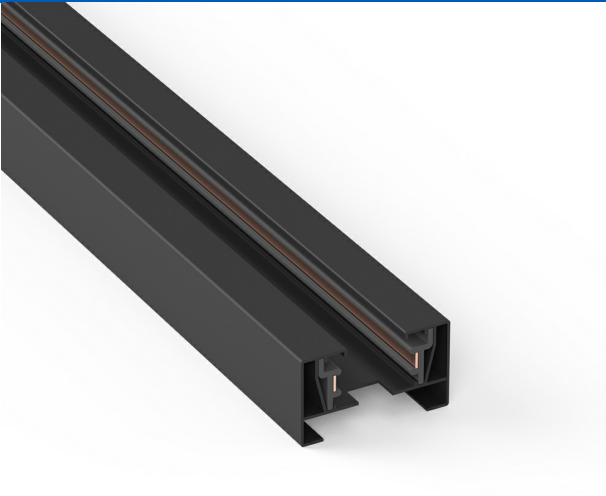
PRODUCT DATASHEET

MODEL NO

BY40-00121

DESCRIPTION

BRY-2M-2WRS-BLC-TRACK RAIL



BRAYTRON SRL

Bulavardul iuliu maniu, Nr.616, Sector 6, 061129, Bucuresti-ROMANIA

info@braytron.com

www.braytron.com

Page 1-2

General Characteristics

Model No	:	BY40-00121
Main Family	:	Track Lighting
Sub Family	:	Trackrails
Type	:	Trackrail
Body Color	:	Black
Socket	:	2 WIRES
Warranty	:	2 Years
Class	:	CLASS I
IP	:	IP20

Dimensions & Weight

P. Length	:	1000 mm
P. Width	:	32 mm
P. Height	:	35 mm
Weight	:	520 gr

Electrical Characteristics

Lifetime	:	20000 h
Voltage	:	220-240V 50/60Hz
Material	:	Aluminium
Working Temperature	:	-20°C ~ +40°C

Package Informations

N.W.	:	10,4 kgs
G.W.	:	11,3 kgs
PCS/CTN	:	20
Length	:	203 cm
Width	:	20 cm
Height	:	10 cm
EAN	:	5949097702853