

# Braytron

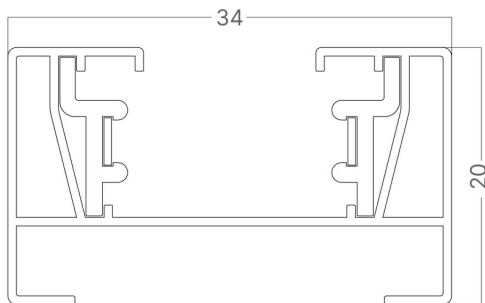
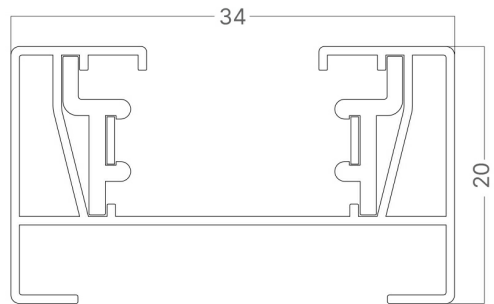
## PRODUCT DATASHEET

MODEL NO

BY40-00111

DESCRIPTION

BRY-1M-2WRS-BLC-TRACK RAIL



BRAYTRON SRL

Bulavardul iuliu maniu, Nr.616, Sector 6, 061129, Bucuresti-ROMANIA

info@braytron.com

www.braytron.com

Page 1-2

### General Characteristics

Model No	:	BY40-00111
Main Family	:	Track Lighting
Sub Family	:	Trackrails
Type	:	Trackrail
Body Color	:	Black
Socket	:	2 WIRES
Warranty	:	2 Years
Class	:	CLASS I
IP	:	IP20

### Dimensions & Weight

P. Length	:	2000 mm
P. Width	:	34 mm
P. Height	:	20 mm
Weight	:	277 gr

### Electrical Characteristics

Lifetime	:	20000 h
Voltage	:	220-240V 50/60Hz
Material	:	Aluminium
Working Temperature	:	-20°C ~ +40°C

### Package Informations

N.W.	:	5,5 kgs
G.W.	:	6 kgs
PCS/CTN	:	20
Length	:	103 cm
Width	:	20 cm
Height	:	10 cm
EAN	:	5949097702839