

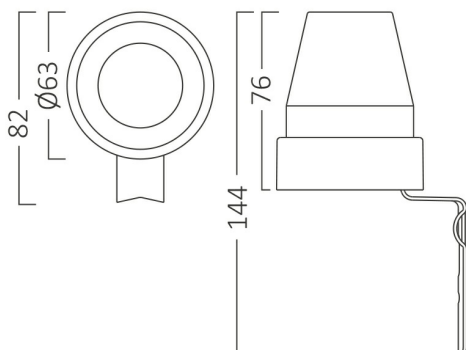
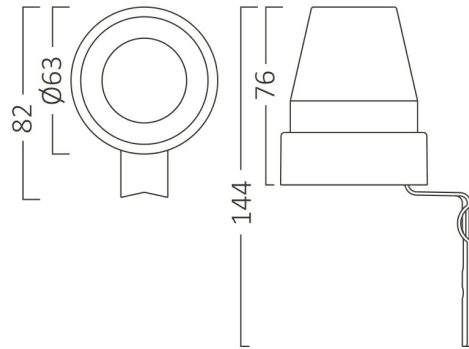
## PRODUCT DATASHEET

MODEL NO

BY31-03020

DESCRIPTION

BRY-PS01-10A-IP44-SENSOR



Luminare is intended to use in outdoor applications

### General Characteristics

Model No	:	BY31-03020
Main Family	:	Others
Sub Family	:	Sensor
Type	:	Sensor
Body Color	:	White
Lamp Shape	:	N/A
Light Source	:	N/A
Warranty	:	2 years
Class	:	Class II
IP	:	IP44

### Electrical Characteristics

Voltage	:	220-240V
Material	:	PC
Working Temperature	:	-20 C+40 C
Frequency	:	50-60 Hz

### Package Informations

N.W.	:	9,90 kgs
G.W.	:	13,30 kgs
PCS/CTN	:	100 pcs
Length	:	365 mm
Width	:	375 mm
Height	:	380 mm
EAN	:	5949097705922

### Product Characteristics

Wattage	:	Max 1800 w
---------	---	------------

### Dimensions & Weight

Diameter	:	63 mm
P. Height	:	144 mm
Weight	:	99 gr

### Sensor Informations

Sensor Type	:	Photocell
Lux	:	2-100 lux