

Braytron

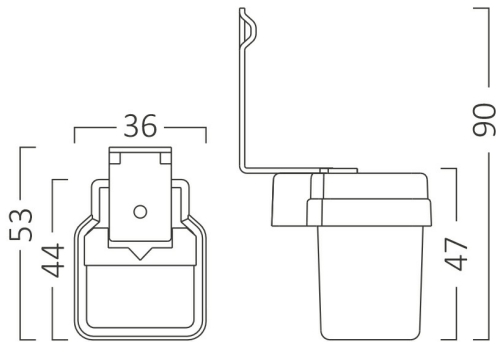
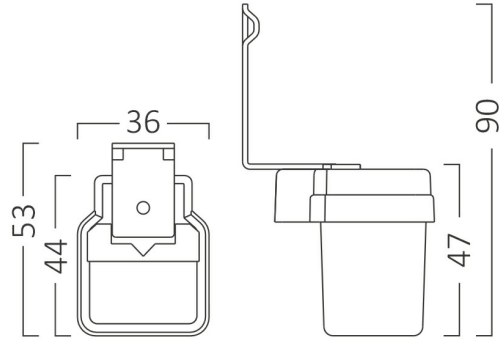
PRODUCT DATASHEET

MODEL NO

BY31-03010

DESCRIPTION

BRY-PS01-6A-IP44-SENSOR



BRAYTRON SRL

Bulavardul Iuliu Maniu, Nr.616, Sector 6, 061129, Bucuresti-ROMANIA

info@braytron.com

www.braytron.com

Page 1-2

General Characteristics

Model No	:	BY31-03010
Main Family	:	Others
Sub Family	:	Sensor
Type	:	Sensor
Body Color	:	White-Blue
Lamp Shape	:	N/A
Light Source	:	N/A
Warranty	:	2 years
Class	:	Class II
IP	:	IP44

Electrical Characteristics

Voltage	:	220-240V
Material	:	PC
Working Temperature	:	-20 C+40 C
Frequency	:	50-60 Hz

Package Informations

N.W.	:	5,00 kgs
G.W.	:	8,60 kgs
PCS/CTN	:	100 pcs
Length	:	435 mm
Width	:	295 mm
Height	:	370 mm
EAN	:	5949097707728

Product Characteristics

Wattage	:	Max 1000 w
---------	---	------------

Dimensions & Weight

P. Length	:	44 mm
P. Width	:	36 mm
P. Height	:	90 mm
Weight	:	50 gr

Sensor Informations

Sensor Type	:	Photocell
Detection Distance	:	3m
Lux	:	2-100 lux