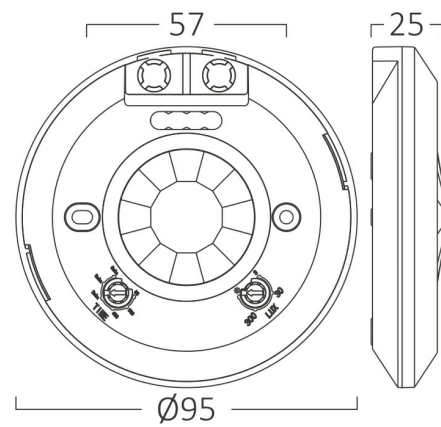


PRODUCT DATASHEET

MODEL NO BY31-01010

DESCRIPTION BRY-MS01-360-MAX 800W-IP20-MOTION SENSOR



General Characteristics

Model No	:	BY31-01010
Main Family	:	Others
Sub Family	:	Sensor
Type	:	Sensor
Body Color	:	White
Lamp Shape	:	N/A
Light Source	:	N/A
Warranty	:	2 years
Class	:	Class II
IP	:	IP20

Electrical Characteristics

Voltage	:	220-240V
Material	:	PC
Working Temperature	:	-20 C+40 C
Frequency	:	50-60 Hz

Package Informations

N.W.	:	4,00 kgs
G.W.	:	5,85 kgs
PCS/CTN	:	50 pcs
Length	:	520 mm
Width	:	220 mm
Height	:	220 mm
EAN	:	5949097705014

Product Characteristics

Wattage	:	Max 800 w
---------	---	-----------

Dimensions & Weight

Diameter	:	95 mm
P. Height	:	25 mm
Weight	:	80 gr

Sensor Informations

Sensor Type	:	Motion
Detection Distance	:	8m
Detection Speed	:	0,6-1,5m/s
Detection Angle	:	360° Degrees
Installation Height	:	1,5m-3,5m
Time Delay	:	5sec-5min
Lux	:	5-2000 lux