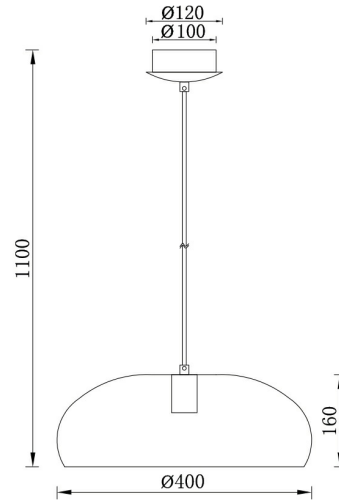


# Braytron

## PRODUCT DATASHEET

MODEL NO BV05-00032

DESCRIPTION BRY-P007R-1H-1xE27-WHT-PENDANT LIGHT



BRAYTRON SRL

Bulavardul Iuliu Maniu, Nr.616, Sector 6, 061129, Bucuresti-ROMANIA

info@braytron.com

www.braytron.com

Page 1-2

### General Characteristics

Model No	:	BV05-00032
Main Family	:	Decorative CLS
Sub Family	:	Metal
Type	:	Pendant Light
Body Color	:	White
Lamp Shape	:	N/A
Light Source	:	N/A
Socket	:	1xE27
Warranty	:	2 years
Class	:	Class I
IP	:	IP20

### Electrical Characteristics

Voltage	:	220-240V
Material	:	Metal
Frequency	:	50-60 Hz

### Package Informations

N.W.	:	1,70 kgs
G.W.	:	2,50 kgs
PCS/CTN	:	1 pcs
Length	:	415 mm
Width	:	425 mm
Height	:	180 mm
EAN	:	5949097735868

### Product Characteristics

Wattage	:	Max 1x23 w
---------	---	------------

### Dimensions & Weight

Weight	:	1700 gr
--------	---	---------