

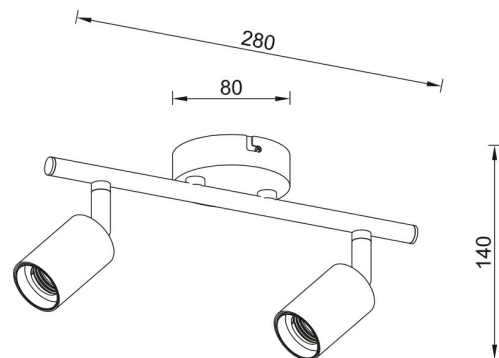
## PRODUCT DATASHEET

MODEL NO

BV04-00031

DESCRIPTION

BRY-G003C-2H-2xE27-BLC-CEILING LIGHT



BRAYTRON SRL

Bulaverdul iuliu maniu, Nr.616, Sector 6, 061129, Bucuresti-ROMANIA

info@braytron.com

www.braytron.com

### General Characteristics

Model No	:	BV04-00031
Main Family	:	Decorative CLS
Sub Family	:	Fixtures
Type	:	Ceiling Light
Body Color	:	Black
Lamp Shape	:	N/A
Light Source	:	N/A
Socket	:	2xE27
Warranty	:	2 years
Class	:	Class I
IP	:	IP20

### Electrical Characteristics

Voltage	:	220-240V
Material	:	Metal
Frequency	:	50-60 Hz

### Package Informations

N.W.	:	4,08 kgs
G.W.	:	5,95 kgs
PCS/CTN	:	12 pcs
Length	:	385 mm
Width	:	390 mm
Height	:	315 mm
EAN	:	5949097735684

### Product Characteristics

Wattage	:	Max 2x23 w
---------	---	------------

### Dimensions & Weight

Weight	:	340 gr
--------	---	--------