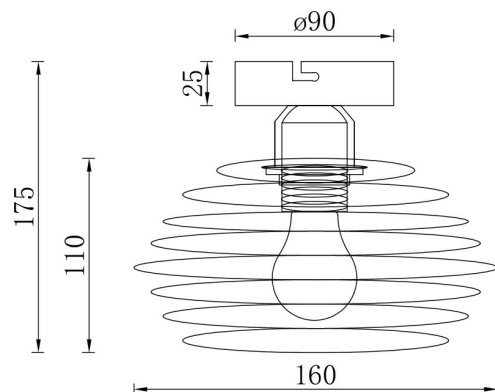


PRODUCT DATASHEET

MODEL NO BV03-00083

DESCRIPTION BRY-W008C-1H-1xE27-BLC-CEILING LIGHT



General Characteristics

Model No	:	BV03-00083
Main Family	:	Decorative CLS
Sub Family	:	Wiring
Type	:	Ceiling Light
Body Color	:	Black
Lamp Shape	:	N/A
Light Source	:	N/A
Socket	:	1xE27
Warranty	:	2 years
Class	:	Class I
IP	:	IP20

Electrical Characteristics

Voltage	:	220-240V
Material	:	Metal
Frequency	:	50-60 Hz

Package Informations

N.W.	:	14,58 kgs
G.W.	:	18,35 kgs
PCS/CTN	:	27 pcs
Length	:	450 mm
Width	:	455 mm
Height	:	425 mm
EAN	:	5949097735608

Product Characteristics

Wattage	:	Max 1x23 w
---------	---	------------

Dimensions & Weight

Weight	:	540 gr
--------	---	--------