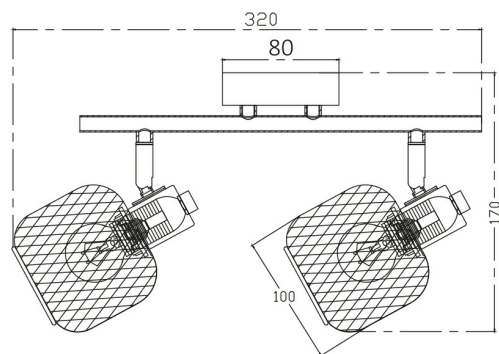


Braytron

PRODUCT DATASHEET

MODEL NO BV03-00011

DESCRIPTION BRY-W001C-2H-2xE14-WDN-CEILING LIGHT



BRAYTRON SRL

Bulavardul Iuliu Maniu, Nr.616, Sector 6, 061129, Bucuresti-ROMANIA

info@braytron.com

www.braytron.com

Page 1-2

General Characteristics

Model No	:	BV03-00011
Main Family	:	Decorative CLS
Sub Family	:	Wiring
Type	:	Ceiling Light
Body Color	:	Black+Wooden
Lamp Shape	:	N/A
Light Source	:	N/A
Socket	:	2xE14
Warranty	:	2 years
Class	:	Class I
IP	:	IP20

Electrical Characteristics

Voltage	:	220-240V
Material	:	Metal+Wooden
Frequency	:	50-60 Hz

Package Informations

N.W.	:	2,25 kgs
G.W.	:	3,85 kgs
PCS/CTN	:	5 pcs
Length	:	750 mm
Width	:	195 mm
Height	:	340 mm
EAN	:	5949097733963

Product Characteristics

Wattage	:	Max 2x23 w
---------	---	------------

Dimensions & Weight

Weight	:	450 gr
--------	---	--------