

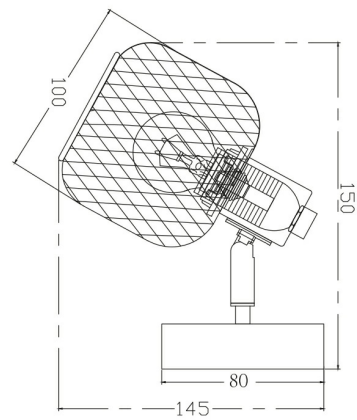
PRODUCT DATASHEET

MODEL NO

BV03-00010

DESCRIPTION

BRY-W001C-1H-1xE14-WDN-WALL LIGHT



BRAYTRON SRL

Bulaverdul iuliu maniu, Nr.616, Sector 6, 061129, Bucuresti-ROMANIA

info@braytron.com

www.braytron.com

General Characteristics

Model No	:	BV03-00010
Main Family	:	Decorative CLS
Sub Family	:	Wiring
Type	:	Wall Light
Body Color	:	Black+Wooden
Lamp Shape	:	N/A
Light Source	:	N/A
Socket	:	1xE14
Warranty	:	2 years
Class	:	Class I
IP	:	IP20

Electrical Characteristics

Voltage	:	220-240V
Material	:	Metal+Wooden
Frequency	:	50-60 Hz

Package Informations

N.W.	:	2,30 kgs
G.W.	:	3,85 kgs
PCS/CTN	:	10 pcs
Length	:	625 mm
Width	:	265 mm
Height	:	220 mm
EAN	:	5949097733956

Product Characteristics

Wattage	:	Max 1x23 w
---------	---	------------

Dimensions & Weight

Weight	:	230 gr
--------	---	--------