

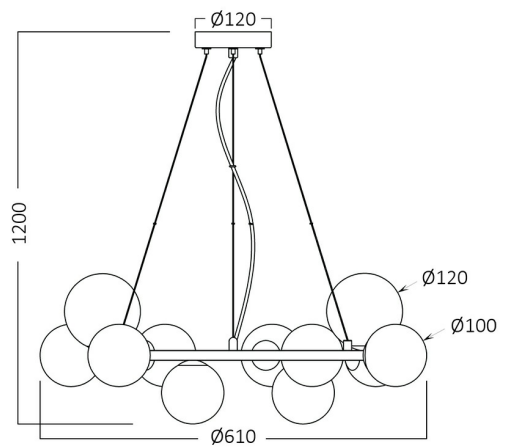
PRODUCT DATASHEET

MODEL NO

BV01-00132

DESCRIPTION

BRY-S011R-11H-11xG9-MLK-PENDANT LIGHT



BRAYTRON SRL

Bulaverdul iuliu maniu, Nr.616, Sector 6, 061129, Bucuresti-ROMANIA

info@braytron.com

www.braytron.com

General Characteristics

Model No	:	BV01-00132
Main Family	:	Decorative CLS
Sub Family	:	Glass OPL
Type	:	Pendant Light
Body Color	:	Milky+Glass
Lamp Shape	:	N/A
Light Source	:	N/A
Socket	:	11xG9
Warranty	:	2 years
Class	:	Class I
IP	:	IP20

Electrical Characteristics

Voltage	:	220-240V
Material	:	Metal
Working Temperature	:	-20 C+40 C
Frequency	:	50-60 Hz

Package Informations

N.W.	:	2,45 kgs
G.W.	:	3,75 kgs
PCS/CTN	:	1 pcs
Length	:	550 mm
Width	:	450 mm
Height	:	285 mm
EAN	:	5949097743290

Product Characteristics

Wattage	:	Max 11x10 w
---------	---	-------------

Dimensions & Weight

Weight	:	2450 gr
--------	---	---------