

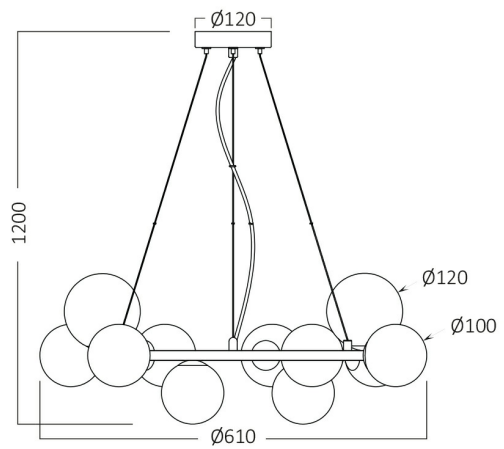
## PRODUCT DATASHEET

MODEL NO

BV01-00126

DESCRIPTION

BRY-S011R-11H-11xG9-AMB-PENDANT LIGHT



BRAYTRON SRL

Bulaverdul iuliu maniu, Nr.616, Sector 6, 061129, Bucuresti-ROMANIA

info@braytron.com

www.braytron.com

### General Characteristics

|              |   |                |
|--------------|---|----------------|
| Model No     | : | BV01-00126     |
| Main Family  | : | Decorative CLS |
| Sub Family   | : | Glass CLR      |
| Type         | : | Pendant Light  |
| Body Color   | : | Amber+Golden   |
| Lamp Shape   | : | N/A            |
| Light Source | : | N/A            |
| Socket       | : | 11xG9          |
| Warranty     | : | 2 years        |
| Class        | : | Class I        |
| IP           | : | IP20           |

### Electrical Characteristics

|           |   |          |
|-----------|---|----------|
| Voltage   | : | 220-240V |
| Material  | : | Metal    |
| Frequency | : | 50-60 Hz |

### Package Informations

|         |   |               |
|---------|---|---------------|
| N.W.    | : | 1,75 kgs      |
| G.W.    | : | 2,95 kgs      |
| PCS/CTN | : | 1 pcs         |
| Length  | : | 545 mm        |
| Width   | : | 495 mm        |
| Height  | : | 280 mm        |
| EAN     | : | 5949097738098 |

### Product Characteristics

|         |   |             |
|---------|---|-------------|
| Wattage | : | Max 11x10 w |
|---------|---|-------------|

### Dimensions & Weight

|        |   |         |
|--------|---|---------|
| Weight | : | 1750 gr |
|--------|---|---------|