

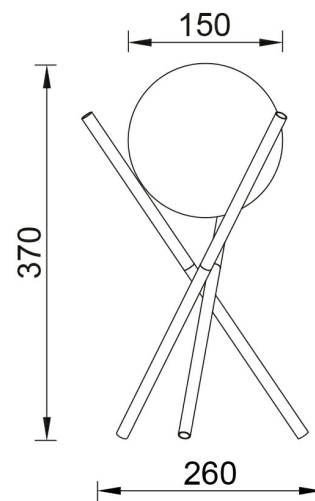
PRODUCT DATASHEET

MODEL NO

BV01-00119

DESCRIPTION

BRY-S013T-1H-1xG9-OPL-BLC-TABLE LAMP



BRAYTRON SRL

Bulavardul iuliu maniu, Nr.616, Sector 6, 061129, Bucuresti-ROMANIA

info@braytron.com

www.braytron.com

General Characteristics

Model No	:	BV01-00119
Main Family	:	Decorative CLS
Sub Family	:	Glass OPL
Type	:	Table Lamp
Body Color	:	Opal+Black
Lamp Shape	:	N/A
Light Source	:	N/A
Socket	:	1xG9
Warranty	:	2 years
Class	:	Class I
IP	:	IP20

Electrical Characteristics

Voltage	:	220-240V
Material	:	Metal
Frequency	:	50-60 Hz

Package Informations

N.W.	:	1,95 kgs
G.W.	:	3,40 kgs
PCS/CTN	:	3 pcs
Length	:	605 mm
Width	:	250 mm
Height	:	295 mm
EAN	:	5949097735370

Product Characteristics

Wattage	:	Max 1x10 w
---------	---	------------

Dimensions & Weight

Weight	:	650 gr
--------	---	--------