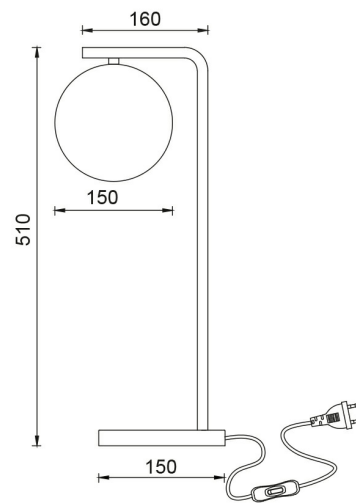
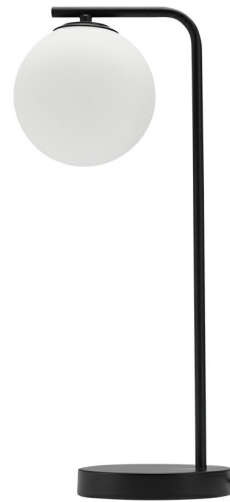


## PRODUCT DATASHEET

MODEL NO BV01-00118

DESCRIPTION BRY-S013T-1H-1xG9-OPL-BLC-TABLE LAMP



### General Characteristics

Model No	:	BV01-00118
Main Family	:	Decorative CLS
Sub Family	:	Glass OPL
Type	:	Table Lamp
Body Color	:	Opal+Black
Lamp Shape	:	N/A
Light Source	:	N/A
Socket	:	1xG9
Warranty	:	2 years
Class	:	Class I
IP	:	IP20

### Electrical Characteristics

Voltage	:	220-240V
Material	:	Metal
Frequency	:	50-60 Hz

### Package Informations

N.W.	:	3,45 kgs
G.W.	:	5,15 kgs
PCS/CTN	:	3 pcs
Length	:	515 mm
Width	:	225 mm
Height	:	555 mm
EAN	:	5949097735363

### Product Characteristics

Wattage	:	Max 1x10 w
---------	---	------------

### Dimensions & Weight

Weight	:	1150 gr
--------	---	---------