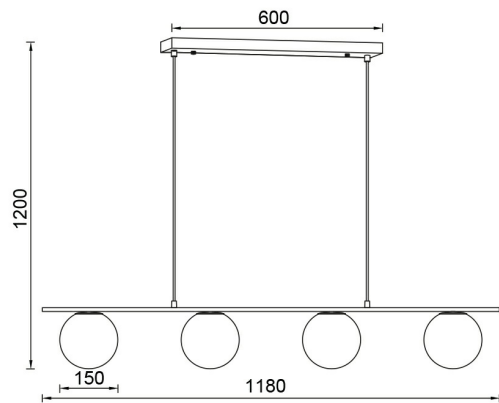


Braytron

PRODUCT DATASHEET

MODEL NO BV01-00115

DESCRIPTION BRY-S013S-4H-4xG9-OPL-BLC-PENDANT LIGHT



BRAYTRON SRL

Bulavardul Iuliu Maniu, Nr.616, Sector 6, 061129, Bucuresti-ROMANIA

info@braytron.com

www.braytron.com

Page 1-2

General Characteristics

Model No	:	BV01-00115
Main Family	:	Decorative CLS
Sub Family	:	Glass OPL
Type	:	Pendant Light
Body Color	:	Opal+Black
Lamp Shape	:	N/A
Light Source	:	N/A
Socket	:	4xG9
Warranty	:	2 years
Class	:	Class I
IP	:	IP20

Electrical Characteristics

Voltage	:	220-240V
Material	:	Metal
Frequency	:	50-60 Hz

Package Informations

N.W.	:	1,99 kgs
G.W.	:	2,70 kgs
PCS/CTN	:	1 pcs
Length	:	1210 mm
Width	:	200 mm
Height	:	215 mm
EAN	:	5949097735332

Product Characteristics

Wattage	:	Max 4x10 w
---------	---	------------

Dimensions & Weight

Weight	:	1990 gr
--------	---	---------