

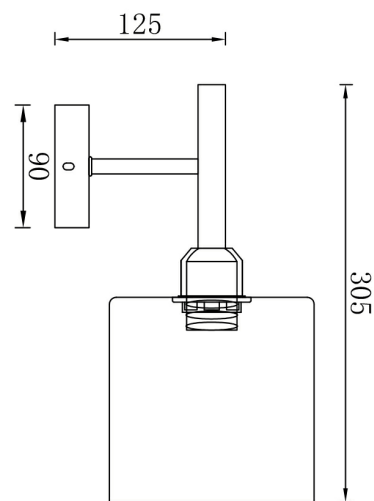
## PRODUCT DATASHEET

MODEL NO

BV01-00073

DESCRIPTION

BRY-S007W-1H-1xE27-SMK-WALL LIGHT



BRAYTRON SRL

Bulaverdul iuliu maniu, Nr.616, Sector 6, 061129, Bucuresti-ROMANIA

info@braytron.com

www.braytron.com

### General Characteristics

Model No	:	BV01-00073
Main Family	:	Decorative CLS
Sub Family	:	Glass CLR
Type	:	Wall Light
Body Color	:	Smoky
Lamp Shape	:	N/A
Light Source	:	N/A
Socket	:	1xE27
Warranty	:	2 years
Class	:	Class I
IP	:	IP20

### Electrical Characteristics

Voltage	:	220-240V
Material	:	Metal
Frequency	:	50-60 Hz

### Package Informations

N.W.	:	2,88 kgs
G.W.	:	4,90 kgs
PCS/CTN	:	4 pcs
Length	:	470 mm
Width	:	480 mm
Height	:	350 mm
EAN	:	5949097735257

### Product Characteristics

Wattage	:	Max 1x23 w
---------	---	------------

### Dimensions & Weight

Weight	:	720 gr
--------	---	--------