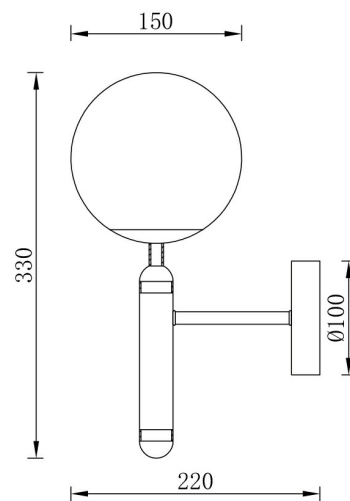


PRODUCT DATASHEET

MODEL NO BV01-00062

DESCRIPTION BRY-S006W-1H-1xG9-OPL-GLD-WALL LIGHT



BRAYTRON SRL

Bulaverdul iuliu maniu, Nr.616, Sector 6, 061129, Bucuresti-ROMANIA

info@braytron.com

www.braytron.com

General Characteristics

Model No	:	BV01-00062
Main Family	:	Decorative CLS
Sub Family	:	Glass CLR
Type	:	Wall Light
Body Color	:	Opal+Golden
Lamp Shape	:	N/A
Light Source	:	N/A
Socket	:	1xG9
Warranty	:	2 years
Class	:	Class I
IP	:	IP20

Electrical Characteristics

Voltage	:	220-240V
Material	:	Metal
Frequency	:	50-60 Hz

Package Informations

N.W.	:	1,16 kgs
G.W.	:	2,40 kgs
PCS/CTN	:	2 pcs
Length	:	340 mm
Width	:	300 mm
Height	:	490 mm
EAN	:	5949097733802

Product Characteristics

Wattage	:	Max 1x10 w
---------	---	------------

Dimensions & Weight

Weight	:	580 gr
--------	---	--------