

Braytron

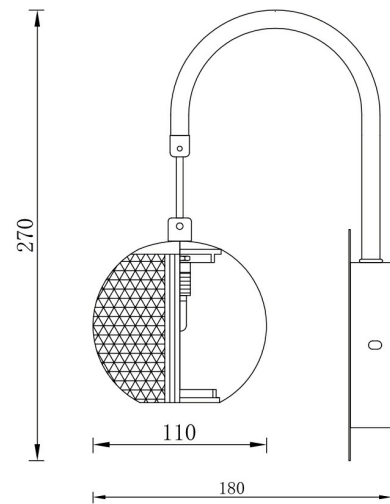
PRODUCT DATASHEET

MODEL NO

BV01-00014

DESCRIPTION

BRY-S001W-1H-1xG9-GLD-WALL LIGHT



BRAYTRON SRL

Bulavardul Iuliu Maniu, Nr.616, Sector 6, 061129, Bucuresti-ROMANIA

info@braytron.com

www.braytron.com

Page 1-2

General Characteristics

Model No	:	BV01-00014
Main Family	:	Decorative CLS
Sub Family	:	Glass CRY
Type	:	Wall Light
Body Color	:	Golden
Lamp Shape	:	N/A
Light Source	:	N/A
Socket	:	1xG9
Warranty	:	2 years
Class	:	Class I
IP	:	IP20

Electrical Characteristics

Voltage	:	220-240V
Material	:	Metal
Frequency	:	50-60 Hz

Package Informations

N.W.	:	3,30 kgs
G.W.	:	5,75 kgs
PCS/CTN	:	6 pcs
Length	:	620 mm
Width	:	320 mm
Height	:	415 mm
EAN	:	5949097734960

Product Characteristics

Wattage	:	Max 1x10 w
---------	---	------------

Dimensions & Weight

Weight	:	550 gr
--------	---	--------