

# Braytron

## PRODUCT DATASHEET

MODEL NO BT65-02082

DESCRIPTION BRY-FLOOD-PF-20W-GRY-3IN1-IP65-LED FLOODLIGHT



**Braytron**

FLOOD LED FLOODLIGHT

Model No: BT65-02082

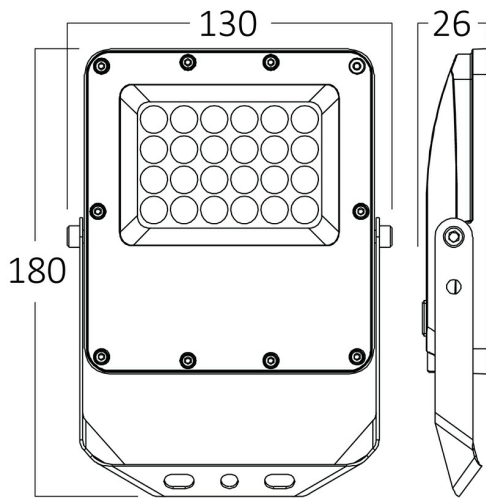
20w - 2200lm

- 3 CCT (3000K, 4000K, 6500K)
- Beam angle: 90°
- Working temperature: -20°C +40°C
- 220-240V

LED

IP65

FLOOD LED FLOODLIGHT



**ENERGY**

**BRAYTRON**  
BT65-02082

A  
B  
C  
D  
E  
F  
G

**E**

20 kWh/1000h

2019/2015

Luminare is intended to use in outdoor applications

### General Characteristics

|              |   |                  |
|--------------|---|------------------|
| Model No     | : | BT65-02082       |
| Main Family  | : | Outdoor Lighting |
| Sub Family   | : | LED Floodlight   |
| Type         | : | Floodlight       |
| Body Color   | : | Grey             |
| Lamp Shape   | : | Non-Directional  |
| Dimmable     | : | Not-Dimmable     |
| Light Source | : | LED              |
| Warranty     | : | 2 years          |
| Class        | : | Class I          |
| IP           | : | IP65             |
| IK           | : | IK06             |

### Electrical Characteristics

|                     |   |            |
|---------------------|---|------------|
| Lifetime            | : | 20000 h    |
| Voltage             | : | 220-240V   |
| Power Factor        | : | >0,9       |
| Material            | : | Aluminium  |
| Working Temperature | : | -20 C+40 C |
| Frequency           | : | 50-60 Hz   |

### Package Informations

|         |   |               |
|---------|---|---------------|
| N.W.    | : | 11,60 kgs     |
| G.W.    | : | 13,35 kgs     |
| PCS/CTN | : | 40 pcs        |
| Length  | : | 290 mm        |
| Width   | : | 272 mm        |
| Height  | : | 373 mm        |
| EAN     | : | 5949097743184 |

### Product Characteristics

|                             |   |             |
|-----------------------------|---|-------------|
| Wattage                     | : | 20 w        |
| Color Temperature           | : | 3IN1        |
| Quse Lumen                  | : | 2200 lm     |
| Color Rendering Index (CRI) | : | >80         |
| Energy Efficiency Level     | : | E           |
| Beam Angle                  | : | 90° Degrees |
| Color Category              | : | 3IN1        |

### Dimensions & Weight

|           |   |        |
|-----------|---|--------|
| P. Length | : | 180 mm |
| P. Width  | : | 26 mm  |
| P. Height | : | 130 mm |
| Weight    | : | 290 gr |