

Braytron

PRODUCT DATASHEET

MODEL NO BT64-02481

DESCRIPTION BRY-SOLAR PL-80W-3IN1-RMT-IP65-SOLAR FLOODLIGHT



IP65

REMOTE



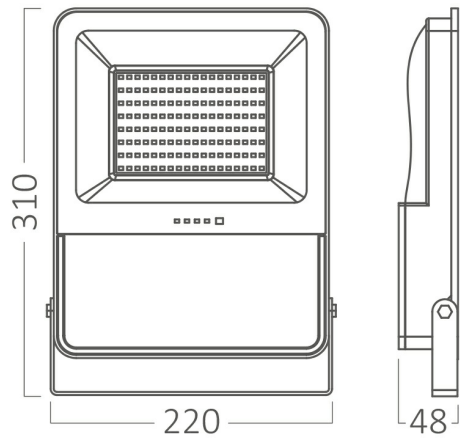
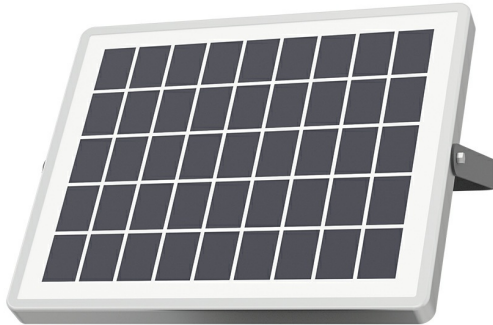
SENSOR



SOLAR



3 CCT



Luminare is intended to use in outdoor applications

BRAYTRON SRL

Bulavardul iuliu maniu, Nr.616, Sector 6, 061129, Bucuresti-ROMANIA

info@braytron.com

www.braytron.com

Page 1-2

General Characteristics

Model No	:	BT64-02481
Main Family	:	Solar Lighting
Sub Family	:	Solar Floodlight
Type	:	Solar Floodlight
Body Color	:	Black
Lamp Shape	:	N/A
Dimmable	:	Dimmable
Light Source	:	LED
Warranty	:	2 years(1 year for battery)
Class	:	Class III
IP	:	IP65
IK	:	IK06

Electrical Characteristics

Lifetime	:	20000 h (For LED)
Voltage	:	Solar Panel Energy
Material	:	ABS
Working Temperature	:	-20 C+40 C
Working Time	:	4-12 h
Frequency	:	50-60 Hz
Capacity Watt	:	75 w

Dimensions & Weight

P. Length	:	220 mm
P. Width	:	48 mm
P. Height	:	310 mm
Weight	:	1430 gr

Sensor Informations

Sensor Type	:	Microwave
Detection Distance	:	1m-10m
Detection Angle	:	120° Degrees
Time Delay	:	30sec
Lux	:	15 lux

Product Characteristics

Wattage	:	250 w
Color Temperature	:	3IN1
Quse Lumen	:	3000 lm
Color Rendering Index (CRI)	:	>80
Beam Angle	:	90° Degrees
Color Category	:	3IN1

Battery Informations

Battery	:	LiFePO4
Battery Capacity	:	3.2V 24A
Charging Time	:	8 h-9 h at 50.000 lux

Package Informations

N.W.	:	7,15 kgs
G.W.	:	8,15 kgs
PCS/CTN	:	5 pcs
Length	:	360 mm
Width	:	250 mm
Height	:	300 mm
EAN	:	5949097739231

Solar Informations

Solar Panel	:	5.5V, 25W
-------------	---	-----------