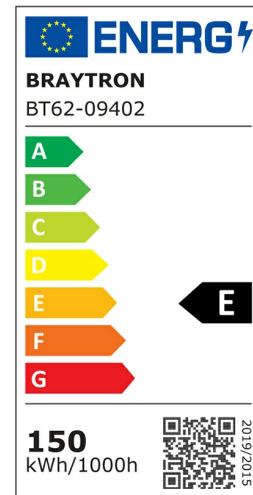
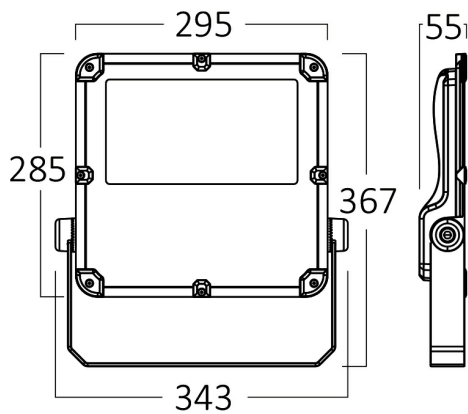


PRODUCT DATASHEET

MODEL NO BT62-09402

DESCRIPTION BRY-FLOOD-PL-150W-GRY-3000K-IP66-LED FLOODLIGHT



Luminare is intended to use in outdoor applications

General Characteristics

Model No	:	BT62-09402
Main Family	:	Outdoor Lighting
Sub Family	:	LED Floodlight
Type	:	Floodlight
Body Color	:	Grey
Lamp Shape	:	Non-Directional
Dimmable	:	Not-Dimmable
Light Source	:	LED
Warranty	:	5 years
Class	:	Class I
IP	:	IP66
IK	:	IK08

Electrical Characteristics

Lifetime	:	30000 h
Voltage	:	220-240V
Power Factor	:	>0,9
Material	:	Aluminium
Working Temperature	:	-20 C+40 C
Frequency	:	50-60 Hz

Package Informations

N.W.	:	9,00 kgs
G.W.	:	11,25 kgs
PCS/CTN	:	3 pcs
Length	:	400 mm
Width	:	305 mm
Height	:	470 mm
EAN	:	5949097719974

Product Characteristics

Wattage	:	150 w
Color Temperature	:	3000K
Quse Lumen	:	19500 lm
Color Rendering Index (CRI)	:	>70
Energy Efficiency Level	:	E
Beam Angle	:	90° Degrees
Color Category	:	Warm White

Dimensions & Weight

P. Length	:	295 mm
P. Width	:	53 mm
P. Height	:	370 mm
Weight	:	3000 gr