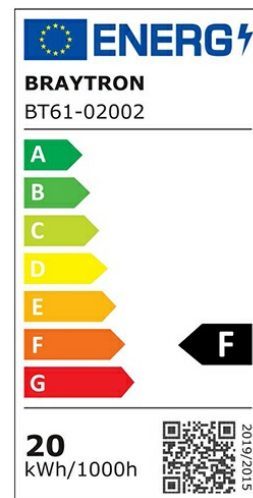
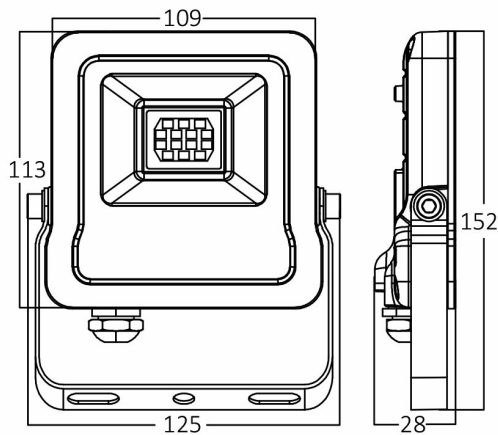


## PRODUCT DATASHEET

MODEL NO BT61-02002

DESCRIPTION BRY-FLOOD-SL-20W-GRY-3000K-IP65-LED FLOODLIGHT



Luminare is intended to use in outdoor applications

### General Characteristics

Model No	:	BT61-02002
Main Family	:	Outdoor Lighting
Sub Family	:	LED Floodlight
Type	:	Flood
Body Color	:	Grey
Lamp Shape	:	Directional
Dimmable	:	Not-Dimmable
Light Source	:	LED
Warranty	:	3 years
Class	:	Class I
IP	:	IP65
IK	:	IK06

### Electrical Characteristics

Lifetime	:	20000 h
Voltage	:	220-240V
Power Factor	:	>0,9
Material	:	Aluminium
Working Temperature	:	-20 C+40 C
Frequency	:	50-60 Hz

### Package Informations

N.W.	:	9,30 kgs
G.W.	:	11,05 kgs
PCS/CTN	:	30 pcs
Length	:	400 mm
Width	:	200 mm
Height	:	340 mm
EAN	:	5949097702525

### Product Characteristics

Wattage	:	20 w
Color Temperature	:	3000K
Quse Lumen	:	1620 lm
Color Rendering Index (CRI)	:	>70
Energy Efficiency Level	:	F
Beam Angle	:	120° Degrees
Color Category	:	Warm White

### Dimensions & Weight

P. Length	:	125 mm
P. Width	:	28 mm
P. Height	:	152 mm
Weight	:	310 gr