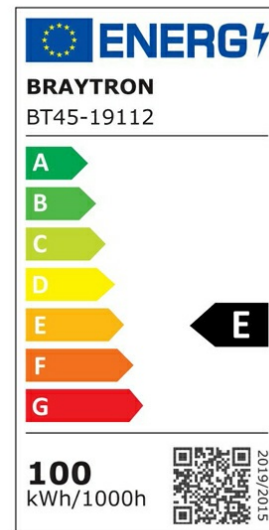
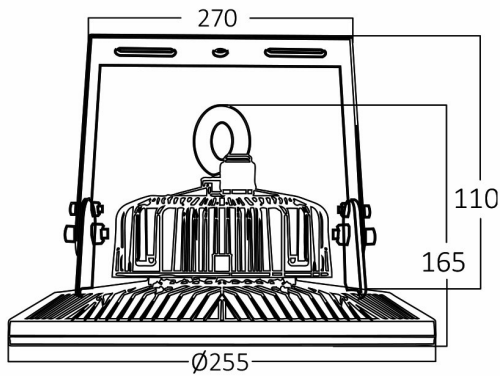


# Braytron

## PRODUCT DATASHEET

MODEL NO BT45-19112

DESCRIPTION BRY-HIBAY-PSL-100W-GRY-4000K-IP65-LED HIBAY



Luminare is intended to use in outdoor applications

BRAYTRON SRL

Bulavardul iuliu maniu, Nr.616, Sector 6, 061129, Bucuresti-ROMANIA

info@braytron.com

www.braytron.com

### General Characteristics

Model No	:	BT45-19112
Main Family	:	Outdoor Lighting
Sub Family	:	LED Hibay
Type	:	Hibay
Body Color	:	Grey
Lamp Shape	:	Non-Directional
Dimmable	:	Not-Dimmable
Light Source	:	LED
Warranty	:	5 years
Class	:	Class I
IP	:	IP65
IK	:	IK08

### Electrical Characteristics

Lifetime	:	30000 h
Voltage	:	220-240V
Power Factor	:	>0,9
Material	:	Aluminium
Working Temperature	:	-20 C+40 C
Frequency	:	50-60 Hz

### Package Informations

N.W.	:	3,14 kgs
G.W.	:	3,60 kgs
PCS/CTN	:	1 pcs
Length	:	335 mm
Width	:	335 mm
Height	:	160 mm
EAN	:	5949097719035

### Product Characteristics

Wattage	:	100 w
Color Temperature	:	4000K
Quse Lumen	:	13000 lm
Color Rendering Index (CRI)	:	>80
Energy Efficiency Level	:	E
Beam Angle	:	90° Degrees
Color Category	:	Natural White

### Dimensions & Weight

Diameter	:	255 mm
P. Height	:	165 mm
Weight	:	3140 gr