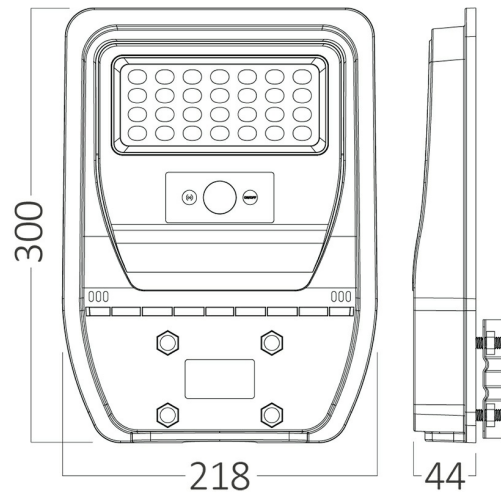


Braytron

PRODUCT DATASHEET

MODEL NO BT43-01531

DESCRIPTION BRY-SOLAR-ST01-15W-6500K-SNS-IP65-SOLAR STREET LIG



Luminare is intended to use in outdoor applications

BRAYTRON SRL

Bulavardul Iuliu Maniu, Nr.616, Sector 6, 061129, Bucuresti-ROMANIA

info@braytron.com

www.braytron.com

Page 1-2

General Characteristics

Model No	:	BT43-01531
Main Family	:	Outdoor Lighting
Sub Family	:	LED Solar Light
Type	:	Solar
Body Color	:	Black
Lamp Shape	:	N/A
Dimmable	:	Dimmable
Light Source	:	LED
Warranty	:	2 years(1 year for battery)
Class	:	Class III
IP	:	IP65

Electrical Characteristics

Lifetime	:	20000 h
Voltage	:	Solar Panel Energy
Material	:	Plastic
Working Temperature	:	-20 C+50 C
Working Time	:	10-12 h
Capacity Watt	:	15 w

Package Informations

N.W.	:	12,10 kgs
G.W.	:	13,70 kgs
PCS/CTN	:	10 pcs
Length	:	520 mm
Width	:	245 mm
Height	:	335 mm
EAN	:	5949097729652

Battery Informations

Battery Capacity	:	3,2V 5AH LiFePO4
Charging Time	:	6 h-8 h

Product Characteristics

Wattage	:	30 w
Color Temperature	:	6500K
Quse Lumen	:	650 lm
Color Rendering Index (CRI)	:	>70
Beam Angle	:	120° Degrees
Color Category	:	Cool White

Dimensions & Weight

P. Length	:	300 mm
P. Width	:	218 mm
P. Height	:	44 mm
Weight	:	1210 gr

Sensor Informations

Sensor Type	:	Microwave
Detection Distance	:	6m-8m
Detection Angle	:	180° Degrees
Time Delay	:	15sec

Solar Informations

Solar Panel	:	6V, 6W
Solar Power	:	4w