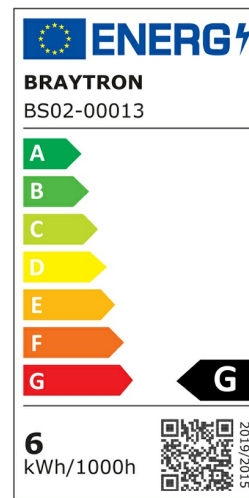
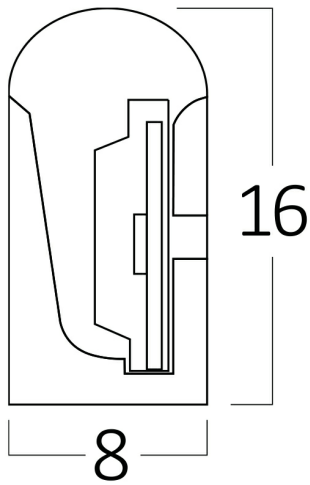


# Braytron

## PRODUCT DATASHEET

MODEL NO BS02-00013

DESCRIPTION BRY-NEON-8x16-220V-6500K-NEON LED STRIP



BRAYTRON SRL

Bulavardul iuliu maniu, Nr.616, Sector 6, 061129, Bucuresti-ROMANIA

info@braytron.com

www.braytron.com

### General Characteristics

Model No	:	BS02-00013
Main Family	:	LED Strip
Sub Family	:	220V LED Neon
Type	:	Strip
Body Color	:	White
Lamp Shape	:	Non-Directional
Warranty	:	2 Years
Class	:	CLASS II
IP	:	IP65

### Electrical Characteristics

Lifetime	:	20000 h
Voltage	:	220-240V 50/60Hz
Material	:	FPCB-PVC
Working Temperature	:	-20°C ~ +40°C
Led Quantity	:	120led/mt

### Package Informations

N.W.	:	14,5 kgs
G.W.	:	15,5 kgs
PCS/CTN	:	100
Length	:	31,5 cm
Width	:	31,5 cm
Height	:	27 cm
EAN	:	5949097728723

### Product Characteristics

Wattage	:	6 w
Color Temperature	:	6500K
Quse Lumen	:	550 lm
Color Rendering Index (CRI)	:	≥70
Energy Efficiency Level	:	F
Beam Angle	:	120°

### Dimensions & Weight

P. Length	:	100 mm
P. Width	:	8 mm
P. Height	:	16 mm
Weight	:	145 gr