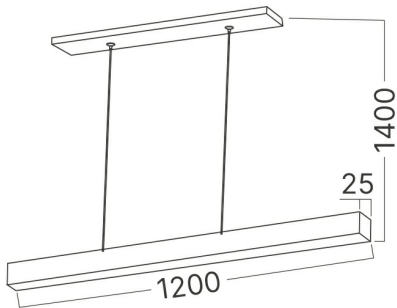
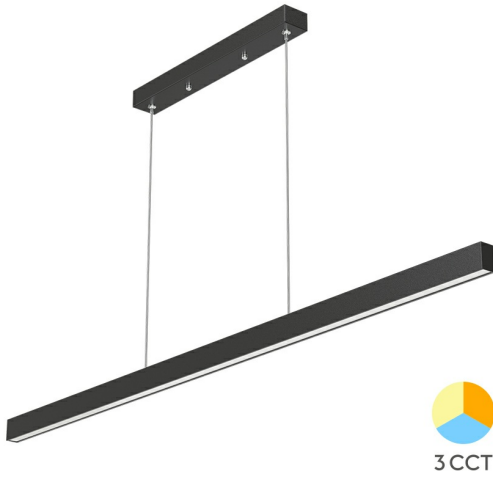



# Braytron

## PRODUCT DATASHEET

MODEL NO BH16-09981

DESCRIPTION BRY-LINA-LN-2540-BLC-30W-3IN1-CEILING LIGHT




 **ENERGY**

**BRAYTRON**  
BH16-09981

A  
B  
C  
D  
E  
**F**  
G

**30**  
kWh/1000h

 2019/2015

BRAYTRON SRL

Bulavardul Iuliu Maniu, Nr.616, Sector 6, 061129, Bucuresti-ROMANIA

info@braytron.com

www.braytron.com

### General Characteristics

Model No	:	BH16-09981
Main Family	:	Decorative LED
Sub Family	:	Linear Light Lina
Type	:	Pendant
Body Color	:	Black
Lamp Shape	:	Non-Directional
Warranty	:	3 Years
Class	:	CLASS I
IP	:	IP20

### Electrical Characteristics

Lifetime	:	20000 h
Voltage	:	220-240V 50/60Hz
Power Factor	:	>0,9
Material	:	Aluminium-PC
Working Temperature	:	-20°C ~ +40°C

### Package Informations

N.W.	:	5,95 kgs
G.W.	:	9,4 kgs
PCS/CTN	:	6
Length	:	125,5 cm
Width	:	42 cm
Height	:	17,5 cm
EAN	:	5949097720130

### Product Characteristics

Wattage	:	30 w
Color Temperature	:	3IN1
Quse Lumen	:	2600 lm
Color Rendering Index (CRI)	:	≥80
Energy Efficiency Level	:	F
Beam Angle	:	120°

### Dimensions & Weight

P. Length	:	1200 mm
P. Width	:	25 mm
P. Height	:	1400 mm
Weight	:	990 gr