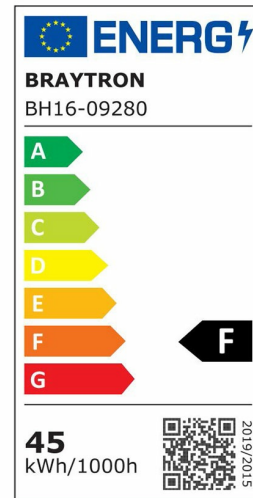
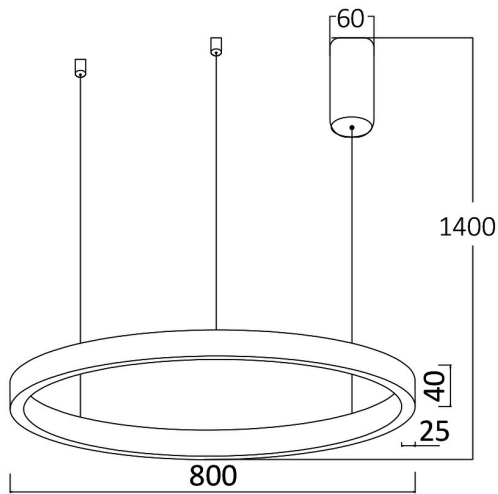


PRODUCT DATASHEET

MODEL NO BH16-09280

DESCRIPTION BRY-LINA-PD-2540-RND-WHT-45W-3IN1-CEILING LIGHT



General Characteristics

Model No	:	BH16-09280
Main Family	:	Decorative LED
Sub Family	:	Pendant Light Lina
Type	:	Pendant
Body Color	:	White
Lamp Shape	:	Non-Directional
Dimmable	:	Not-Dimmable
Light Source	:	LED
Warranty	:	3 years
Class	:	Class I
IP	:	IP20

Electrical Characteristics

Lifetime	:	20000 h
Voltage	:	220-240V
Power Factor	:	>0,9
Material	:	Aluminium
Working Temperature	:	-20 C+40 C
Frequency	:	50-60 Hz

Package Informations

N.W.	:	2,08 kgs
G.W.	:	4,80 kgs
PCS/CTN	:	1 pcs
Length	:	850 mm
Width	:	850 mm
Height	:	85 mm
EAN	:	5949097720062

Product Characteristics

Wattage	:	45 w
Color Temperature	:	3IN1
Quse Lumen	:	4520 lm
Color Rendering Index (CRI)	:	>80
Energy Efficiency Level	:	F
Beam Angle	:	120° Degrees
Color Category	:	3IN1

Dimensions & Weight

Diameter	:	800 mm
P. Height	:	1400 mm
Weight	:	2080 gr