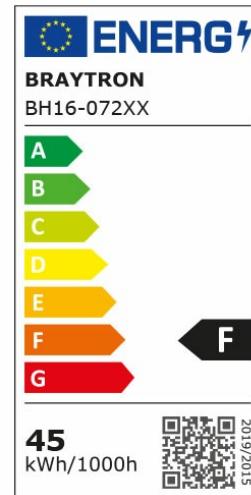
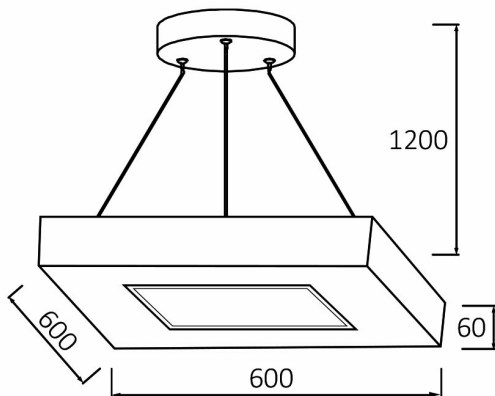


## PRODUCT DATASHEET

MODEL NO BH16-07291

DESCRIPTION BRY-BLADE-PD-SQR-BLC-45W-RMT-CEILING LIGHT



### General Characteristics

Model No	:	BH16-07291
Main Family	:	Decorative LED
Sub Family	:	Pendant Light Blade
Type	:	Pendant
Body Color	:	Black
Lamp Shape	:	Non-Directional
Dimmable	:	Dimmable
Light Source	:	LED
Warranty	:	3 years
Class	:	Class I
IP	:	IP20

### Electrical Characteristics

Lifetime	:	20000 h
Voltage	:	220-240V
Power Factor	:	>0,9
Material	:	Metal
Working Temperature	:	-20 C+40 C
Frequency	:	50-60 Hz

### Package Informations

N.W.	:	7,55 kgs
G.W.	:	10,30 kgs
PCS/CTN	:	3 pcs
Length	:	665 mm
Width	:	280 mm
Height	:	675 mm
EAN	:	5949097717246

### Product Characteristics

Wattage	:	45 w
Color Temperature	:	3IN1
Quse Lumen	:	4650 lm
Color Rendering Index (CRI)	:	>80
Energy Efficiency Level	:	F
Beam Angle	:	120° Degrees
Color Category	:	3IN1

### Dimensions & Weight

P. Length	:	600 mm
P. Width	:	600 mm
P. Height	:	1260 mm
Weight	:	2520 gr