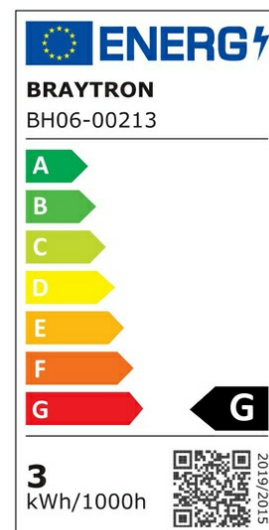
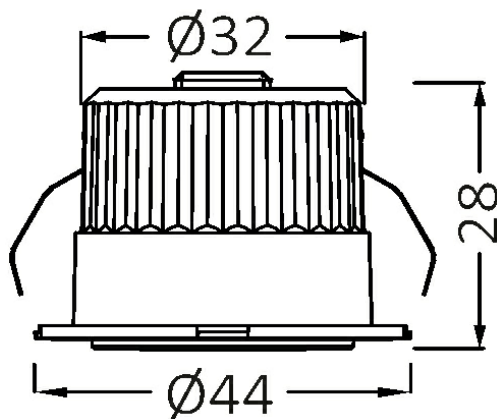


## PRODUCT DATASHEET

MODEL NO BH06-00213

DESCRIPTION BRY-MINISPOT-A-3W-38D-SLV-4000K-IP54-LED SPOTLIGHT



Luminare is intended to use in outdoor applications

### General Characteristics

|              |   |                 |
|--------------|---|-----------------|
| Model No     | : | BH06-00213      |
| Main Family  | : | Indoor Lighting |
| Sub Family   | : | LED Spotlight   |
| Type         | : | Spotlight       |
| Body Color   | : | Silver          |
| Lamp Shape   | : | Directional     |
| Dimmable     | : | Not-Dimmable    |
| Light Source | : | LED             |
| Warranty     | : | 2 years         |
| Class        | : | Class II        |
| IP           | : | IP54            |
| IK           | : | IK06            |

### Electrical Characteristics

|                     |   |            |
|---------------------|---|------------|
| Lifetime            | : | 20000 h    |
| Voltage             | : | 220-240V   |
| Power Factor        | : | >0,5       |
| Material            | : | PC         |
| Working Temperature | : | -20 C+40 C |
| Frequency           | : | 50-60 Hz   |

### Package Informations

|         |   |               |
|---------|---|---------------|
| N.W.    | : | 2,70 kgs      |
| G.W.    | : | 3,85 kgs      |
| PCS/CTN | : | 100 pcs       |
| Length  | : | 480 mm        |
| Width   | : | 250 mm        |
| Height  | : | 135 mm        |
| EAN     | : | 5949097717451 |

### Product Characteristics

|                             |   |               |
|-----------------------------|---|---------------|
| Wattage                     | : | 3 w           |
| Color Temperature           | : | 4000K         |
| Quse Lumen                  | : | 210 lm        |
| Color Rendering Index (CRI) | : | >80           |
| Energy Efficiency Level     | : | G             |
| Beam Angle                  | : | 38° Degrees   |
| Color Category              | : | Natural White |

### Dimensions & Weight

|           |   |       |
|-----------|---|-------|
| Diameter  | : | 44 mm |
| P. Height | : | 28 mm |
| Cutout    | : | 32 mm |
| Weight    | : | 27 gr |