

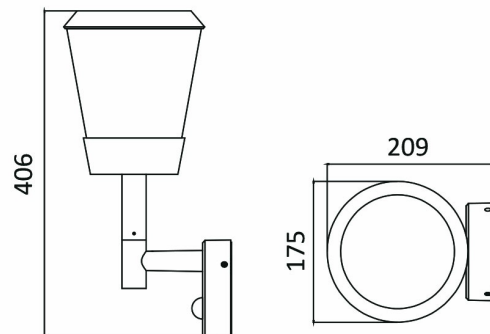
## PRODUCT DATASHEET

MODEL NO

BG43-03102

DESCRIPTION

BRY-PARIS-WLS-1xE27-IP54-WALL LIGHT



Luminare is intended to use in outdoor applications

BRAYTRON SRL

Bulaverdul iuliu maniu, Nr.616, Sector 6, 061129, Bucuresti-ROMANIA

info@braytron.com

www.braytron.com

### General Characteristics

Model No	:	BG43-03102
Main Family	:	Outdoor Lighting
Sub Family	:	E27 Wall Light
Type	:	Schuko Socket
Body Color	:	Grey
Lamp Shape	:	N/A
Light Source	:	N/A
Socket	:	1xE27
Warranty	:	3 years
Class	:	Class I
IP	:	IP54
IK	:	IK08

### Electrical Characteristics

Voltage	:	220-240V
Material	:	Aluminium
Working Temperature	:	-20 C+40 C
Frequency	:	50-60 Hz
Current	:	16 A

### Package Informations

N.W.	:	5,20 kgs
G.W.	:	7,15 kgs
PCS/CTN	:	4 pcs
Length	:	460 mm
Width	:	390 mm
Height	:	440 mm
EAN	:	5949097718328

### Product Characteristics

Wattage	:	Max 1x23 w
---------	---	------------

### Dimensions & Weight

Diameter	:	175 mm
P. Length	:	406 mm
P. Height	:	209 mm
Weight	:	1300 gr

### Sensor Informations

Sensor Type	:	Infrared
Detection Distance	:	2m-10 m
Detection Speed	:	0,8-1,5m/s
Installation Height	:	1,5m-2m
Time Delay	:	10sec-5min