

# Braytron

## PRODUCT DATASHEET

MODEL NO BG36-00582

DESCRIPTION BRY-SPIKE-12W-GRY-2IN1-IP65-SPIKE LIGHT



**Braytron** IP65 LED

**Solar Panel** **130° Adjustable Head**

**Wall Mountable** **Spike**

**SOLAR SPIKE LIGHT**  
MODEL NO: BG36-00582

**12w - 300lm**

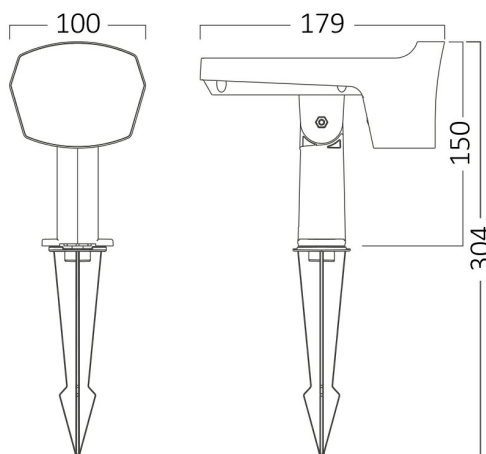
**2CCT SWITCH**  
3000K 6500K

**ON/OFF WORKING TIME**

Solar	Motion Sensor Detection Dia. 1m-5m
Li-Ion Battery Charging Time: 8h-12h	

MODE 1: 1/100 300lm 4-5hours time  
MODE 2: 1/50 200lm 9-10hours time  
MODE 3: 1/25 100lm 18-20hours time

**SPIKE OUTDOOR LIGHTING**



Luminare is intended to use in outdoor applications

BRAYTRON SRL

Bulavardul iuliu maniu, Nr.616, Sector 6, 061129, Bucuresti-ROMANIA

info@braytron.com

www.braytron.com

Page 1-2

### General Characteristics

Model No	:	BG36-00582
Main Family	:	Outdoor Lighting
Sub Family	:	Spike Light
Type	:	Solar Spike Light
Body Color	:	Grey
Lamp Shape	:	N/A
Dimmable	:	Step Dim
Light Source	:	LED
Warranty	:	2 years(1 year for battery)
Class	:	Class III
IP	:	IP65
IK	:	IK06

### Electrical Characteristics

Lifetime	:	20000 h (For LED)
Voltage	:	Solar Panel Energy
Material	:	PC
Working Temperature	:	-20 C+40 C
Working Time	:	4-5 h(%100),9-10 h(%50),18-20 h(%25)
Frequency	:	50-60 Hz

### Dimensions & Weight

P. Length	:	179 mm
P. Width	:	100 mm
P. Height	:	304 mm
Weight	:	426 gr

### Solar Informations

Solar Panel	:	5.5V, 1.8W
-------------	---	------------

### Product Characteristics

Wattage	:	12 w
Color Temperature	:	2IN1
Quse Lumen	:	300 lm(%100),200 lm(%50),100 lm(%25)
Color Rendering Index (CRI)	:	>70
Beam Angle	:	38° Degrees
Color Category	:	2IN1

### Battery Informations

Battery	:	3.7V 2x1800 mAh
Charging Time	:	8 h-12 h

### Package Informations

N.W.	:	8,52 kgs
G.W.	:	10,65 kgs
PCS/CTN	:	20 pcs
Length	:	545 mm
Width	:	380 mm
Height	:	215 mm
EAN	:	5949097739286