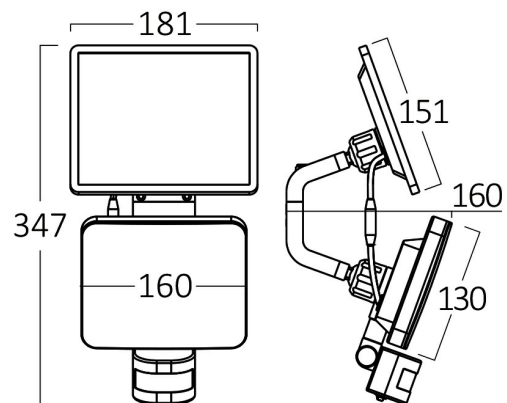


PRODUCT DATASHEET

MODEL NO BG36-00281

DESCRIPTION BRY-SOLARIS-W2-BLC-15W-3IN1-IP54-SOLAR WALL LIGHT



Luminare is intended to use in outdoor applications

General Characteristics

Model No	:	BG36-00211
Main Family	:	Solar Lighting
Sub Family	:	Solar Wall Light
Type	:	Solar
Body Color	:	Black
Lamp Shape	:	N/A
Dimmable	:	Not-Dimmable
Light Source	:	LED
Warranty	:	2 years(1 year for battery)
Class	:	Class III
IP	:	IP54

Electrical Characteristics

Lifetime	:	20000 h
Voltage	:	Solar Panel Energy
Material	:	ABS
Working Temperature	:	-20 C+40 C
Working Time	:	2 h (Full light)-18 h (Night light)
Capacity Watt	:	15 w

Dimensions & Weight

P. Length	:	347 mm
P. Width	:	181 mm
P. Height	:	160 mm
Weight	:	810 gr

Sensor Informations

Detection Distance	:	1m-10m
Detection Angle	:	160° Degrees
Time Delay	:	10sec-1min
Lux	:	30-10000 lux

Product Characteristics

Wattage	:	15 w
Color Temperature	:	4000K
Quse Lumen	:	1500 lm
Color Rendering Index (CRI)	:	>80
Beam Angle	:	120° Degrees
Color Category	:	Natural White

Battery Informations

Battery	:	18650 Li-Ion Battery 3.7V 4000mA
Charging Time	:	7 h-8 h at 50.000 Lux

Package Informations

N.W.	:	8,10 kgs
G.W.	:	9,55 kgs
PCS/CTN	:	10 pcs
Length	:	620 mm
Width	:	390 mm
Height	:	190 mm
EAN	:	5949097731723

Solar Informations

Solar Panel	:	5,5V, 600mA
Solar Power	:	8w