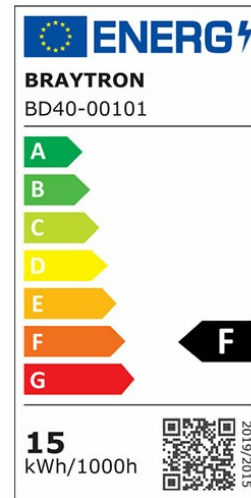
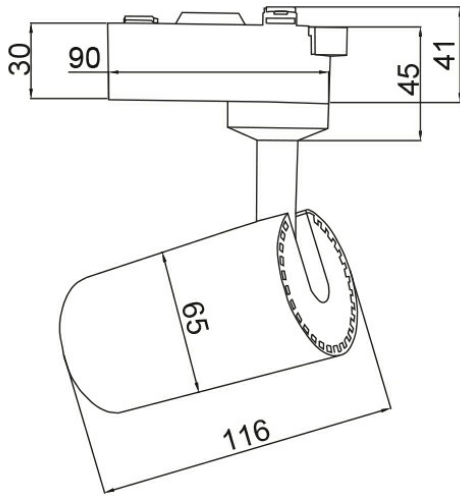


PRODUCT DATASHEET

MODEL NO BD40-00101

DESCRIPTION BRY-SHOPLINE-A15-15W-COB-BLC-3000K-TRACKLIGHT



General Characteristics

| | | |
|--------------|---|----------------|
| Model No | : | BD40-00101 |
| Main Family | : | Track Lighting |
| Sub Family | : | LED Tracklight |
| Type | : | Track |
| Body Color | : | Black |
| Lamp Shape | : | Directional |
| Dimmable | : | Not-Dimmable |
| Light Source | : | LED |
| Socket | : | 2 Wires |
| Warranty | : | 2 years |
| Class | : | Class II |
| IP | : | IP20 |

Electrical Characteristics

| | | |
|---------------------|---|------------|
| Lifetime | : | 20000 h |
| Voltage | : | 220-240V |
| Power Factor | : | >0,5 |
| Material | : | Aluminium |
| Working Temperature | : | -20 C+40 C |
| Frequency | : | 50-60 Hz |

Package Informations

| | | |
|---------|---|---------------|
| N.W. | : | 6,36 kgs |
| G.W. | : | 8,00 kgs |
| PCS/CTN | : | 24 pcs |
| Length | : | 433 mm |
| Width | : | 335 mm |
| Height | : | 280 mm |
| EAN | : | 5949097724763 |

Product Characteristics

| | | |
|-----------------------------|---|-------------|
| Wattage | : | 15 w |
| Color Temperature | : | 3000K |
| Quse Lumen | : | 1120 lm |
| Color Rendering Index (CRI) | : | >80 |
| Energy Efficiency Level | : | F |
| Beam Angle | : | 24° Degrees |
| Color Category | : | Warm White |

Dimensions & Weight

| | | |
|-----------|---|--------|
| Diameter | : | 65 mm |
| P. Height | : | 116 mm |
| Weight | : | 265 gr |