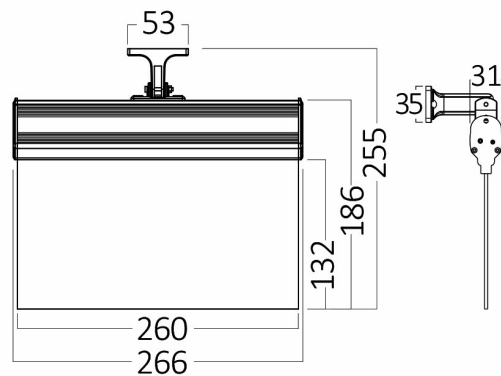


PRODUCT DATASHEET

MODEL NO BC14-01100

DESCRIPTION BRY-EXIT-LED-2W-HNG-IP20-WHT-EMERGENCY EXIT



General Characteristics

| | | |
|--------------|---|---------------|
| Model No | : | BC14-01100 |
| Main Family | : | Rechargeables |
| Sub Family | : | Exit Lamp |
| Type | : | Exit Sign |
| Body Color | : | White |
| Lamp Shape | : | N/A |
| Dimmable | : | Not-Dimmable |
| Light Source | : | LED |
| Warranty | : | 2 years |
| Class | : | Class II |
| IP | : | IP20 |

Electrical Characteristics

| | | |
|-------------------------|---|-------------------|
| Lifetime | : | 20000 h (For LED) |
| Voltage | : | 220-240V |
| Power Factor | : | >0,5 |
| Material | : | ABS |
| Working Temperature | : | -20 C+40 C |
| Working Time | : | 3 h |
| Frequency | : | 50-60 Hz |
| Lifetime (at 2.7 h/day) | : | 20000 h (For LED) |

Dimensions & Weight

| | | |
|-----------|---|--------|
| P. Length | : | 266 mm |
| P. Width | : | 53 mm |
| P. Height | : | 255 mm |
| Weight | : | 355 gr |

Product Characteristics

| | | |
|-------------------|---|--------------|
| Wattage | : | 2 w |
| Color Temperature | : | Green |
| Quse Lumen | : | 150 lm |
| Beam Angle | : | 120° Degrees |

Battery Informations

| | | |
|---------------------------|---|-----------------------------|
| Battery | : | 1,2V 1000 mAh Ni-mh Battery |
| Emergency Mode | : | Maintained |
| Charging Type | : | AC |
| Charging Time | : | 24 h |
| Number Of Charging Cycles | : | 1000 |
| View Distance | : | 25 m |

Package Informations

| | | |
|---------|---|---------------|
| N.W. | : | 7,10 kgs |
| G.W. | : | 9,85 kgs |
| PCS/CTN | : | 20 pcs |
| Length | : | 540 mm |
| Width | : | 290 mm |
| Height | : | 420 mm |
| EAN | : | 5949097704055 |