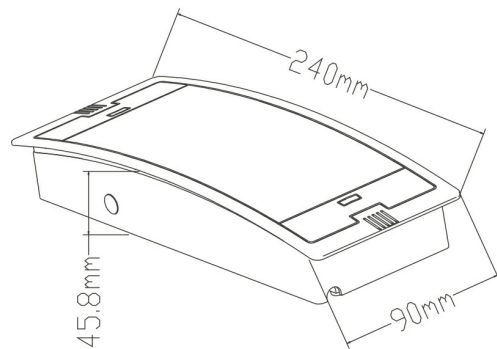
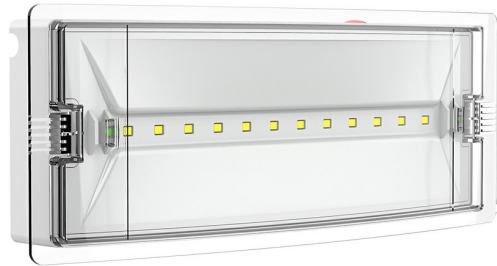


## PRODUCT DATASHEET

MODEL NO BC14-00800

DESCRIPTION BRY-EXIT-LED-3W-DUAL-IP54-WHT-EMERGENCY EXIT LAMP



Luminare is intended to use in outdoor applications

### General Characteristics

|              |   |               |
|--------------|---|---------------|
| Model No     | : | BC14-00800    |
| Main Family  | : | Rechargeables |
| Sub Family   | : | Exit Lamp     |
| Type         | : | Led Emergency |
| Body Color   | : | White         |
| Lamp Shape   | : | N/A           |
| Dimmable     | : | Not-Dimmable  |
| Light Source | : | LED           |
| Warranty     | : | 2 years       |
| Class        | : | Class II      |
| IP           | : | IP54          |

### Electrical Characteristics

|                     |   |                   |
|---------------------|---|-------------------|
| Lifetime            | : | 20000 h (For LED) |
| Voltage             | : | 220-240V          |
| Power Factor        | : | >0,5              |
| Material            | : | ABS               |
| Working Temperature | : | -20 C+40 C        |
| Working Time        | : | 120 min           |
| Frequency           | : | 50-60 Hz          |

### Dimensions & Weight

|           |   |        |
|-----------|---|--------|
| P. Length | : | 240 mm |
| P. Width  | : | 90 mm  |
| P. Height | : | 46 mm  |
| Weight    | : | 250 gr |

### Product Characteristics

|                   |   |              |
|-------------------|---|--------------|
| Wattage           | : | 3 w          |
| Color Temperature | : | 6500K        |
| Quse Lumen        | : | 100 lm       |
| Beam Angle        | : | 120° Degrees |
| Color Category    | : | Cool White   |

### Battery Informations

|                |   |                                 |
|----------------|---|---------------------------------|
| Battery        | : | LiFePO4 3.2V-600maH             |
| Emergency Mode | : | Dual (Non-Maintaned, Maintaned) |
| Charging Time  | : | 6 h-8 h                         |
| View Distance  | : | 14 m                            |

### Package Informations

|         |   |               |
|---------|---|---------------|
| N.W.    | : | 5,00 kgs      |
| G.W.    | : | 6,90 kgs      |
| PCS/CTN | : | 20 pcs        |
| Length  | : | 390 mm        |
| Width   | : | 255 mm        |
| Height  | : | 275 mm        |
| EAN     | : | 5949097739651 |