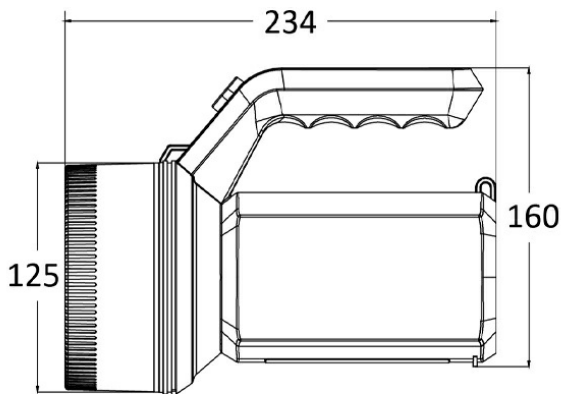
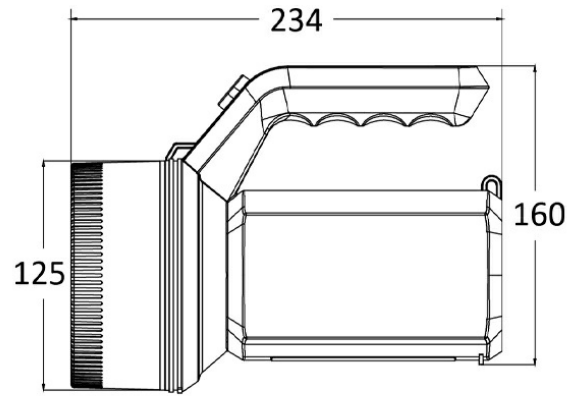


Braytron

PRODUCT DATASHEET

MODEL NO BC03-00161

DESCRIPTION BRY-TR016-5W-6500K-RED-BLC-RECH.TORCH



BRAYTRON SRL

Bulavardul iuliu maniu, Nr.616, Sector 6, 061129, Bucuresti-ROMANIA

info@braytron.com

www.braytron.com

Page 1-2

General Characteristics

Model No	:	BC03-00161
Main Family	:	Rechargeables
Sub Family	:	LED Torch
Type	:	Torch
Body Color	:	Black-Red
Lamp Shape	:	Non-Directional
Dimmable	:	Not-Dimmable
Light Source	:	LED
Warranty	:	1 year
Class	:	Class III
IP	:	IP20

Electrical Characteristics

Voltage	:	220-240V
Material	:	ABS
Working Temperature	:	-20 C+40 C
Working Time	:	4h (High)-8h (Low)
Frequency	:	50-60 Hz

Package Informations

N.W.	:	8,30 kgs
G.W.	:	10,00 kgs
PCS/CTN	:	10 pcs
Length	:	680 mm
Width	:	260 mm
Height	:	355 mm
EAN	:	5949097722622

Product Characteristics

Wattage	:	5 w
Color Temperature	:	6500K
Quse Lumen	:	300 lm
Beam Angle	:	90° Degrees
Color Category	:	Cool White

Dimensions & Weight

Diameter	:	122 mm
P. Length	:	234 mm
P. Height	:	160 mm
Weight	:	830 gr

Battery Informations

Charging Type	:	DC/USB
Charging Time	:	24 h