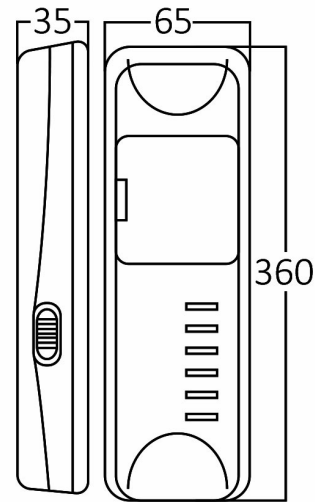


Braytron

PRODUCT DATASHEET

MODEL NO BC01-00330

DESCRIPTION BRY-BM60-60LED-6500K-WHT-RECHARGEABLE LIGHT



BRAYTRON SRL

Bulavardul Iuliu Maniu, Nr.616, Sector 6, 061129, Bucuresti-ROMANIA

info@braytron.com

www.braytron.com

General Characteristics

| | | |
|--------------|---|------------------|
| Model No | : | BC01-00330 |
| Main Family | : | Rechargeables |
| Sub Family | : | LED Rechargeable |
| Type | : | Lantern |
| Body Color | : | White |
| Lamp Shape | : | N/A |
| Dimmable | : | Not-Dimmable |
| Light Source | : | LED |
| Warranty | : | 1 year |
| Class | : | Class II |
| IP | : | IP20 |

Electrical Characteristics

| | | |
|---------------------|---|-------------------|
| Lifetime | : | 20000 h (For LED) |
| Voltage | : | 220-240V |
| Power Factor | : | >0,5 |
| Material | : | ABS |
| Working Temperature | : | -20 C+40 C |
| Working Time | : | 3-8 h |
| Frequency | : | 50-60 Hz |

Dimensions & Weight

| | | |
|-----------|---|--------|
| P. Length | : | 360 mm |
| P. Width | : | 65 mm |
| P. Height | : | 35 mm |
| Weight | : | 310 gr |

Product Characteristics

| | | |
|-----------------------------|---|--------------|
| Wattage | : | 4 w |
| Color Temperature | : | 6500K |
| Quse Lumen | : | 330 lm |
| Color Rendering Index (CRI) | : | >70 |
| Beam Angle | : | 120° Degrees |
| Color Category | : | Cool White |

Battery Informations

| | | |
|---------------------------|---|----------------------------------|
| Battery | : | 3,7V 2200 mAh Lithium Battery |
| Charging Type | : | AC |
| Charging Time | : | 24 h |
| Number Of Charging Cycles | : | 500 |

Package Informations

| | | |
|---------|---|---------------|
| N.W. | : | 6,20 kgs |
| G.W. | : | 7,65 kgs |
| PCS/CTN | : | 20 pcs |
| Length | : | 385 mm |
| Width | : | 235 mm |
| Height | : | 315 mm |
| EAN | : | 5949097701092 |