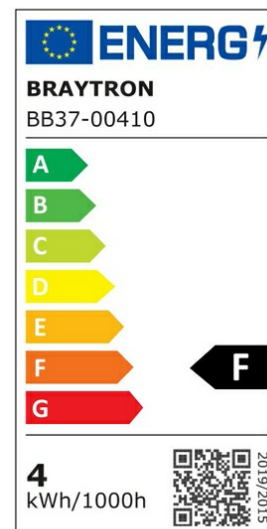
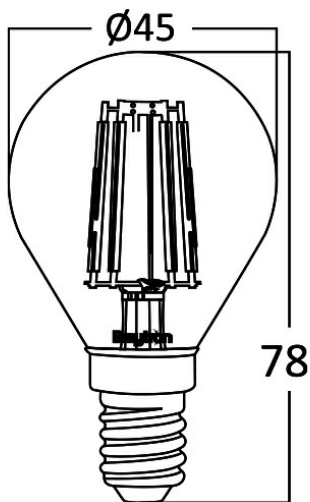


Braytron

PRODUCT DATASHEET

MODEL NO BB37-00410

DESCRIPTION BRY-ADVANCE-4W-E14-P45-AMB-2200K-LED BULB



BRAYTRON SRL

Bulavardul iuliu maniu, Nr.616, Sector 6, 061129, Bucuresti-ROMANIA

info@braytron.com

www.braytron.com

General Characteristics

| | | |
|-------------|---|-----------------|
| Model No | : | BB37-00410 |
| Main Family | : | Bulbs & Tubes |
| Sub Family | : | Filament Bulbs |
| Type | : | P45 |
| Lamp Shape | : | Non-Directional |
| Socket | : | E14 |
| Warranty | : | 2 Years |
| Class | : | CLASS II |
| IP | : | IP20 |

Electrical Characteristics

| | | |
|---------------------|---|------------------|
| Lifetime | : | 15000 h |
| Voltage | : | 220-240V 50/60Hz |
| Power Factor | : | >0,5 |
| Material | : | Glass |
| Working Temperature | : | -20°C ~ +40°C |
| Equivalent | : | 30 w |

Package Informations

| | | |
|---------|---|---------------|
| N.W. | : | 1,35 kgs |
| G.W. | : | 2,8 kgs |
| PCS/CTN | : | 100 |
| Length | : | 48,5 cm |
| Width | : | 25,5 cm |
| Height | : | 20,5 cm |
| EAN | : | 5949097707834 |

Product Characteristics

| | | |
|-----------------------------|---|--------|
| Wattage | : | 4 w |
| Color Temperature | : | 2200K |
| Quse Lumen | : | 360 lm |
| Color Rendering Index (CRI) | : | ≥80 |
| Energy Efficiency Level | : | F |
| Beam Angle | : | 360° |

Dimensions & Weight

| | | |
|-----------|---|-------|
| Diameter | : | 45 mm |
| P. Height | : | 78 mm |
| Weight | : | 14 gr |