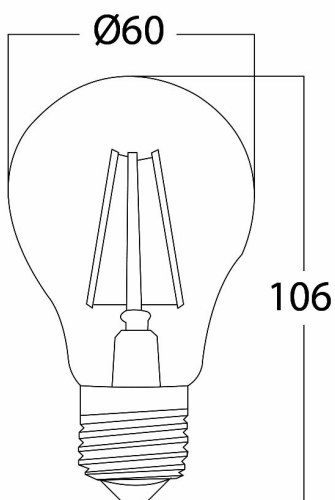


PRODUCT DATASHEET

MODEL NO BA38-00920

DESCRIPTION BRY-ADVANCE-9W-E27-A60-CLR-3000K-LED BULB



General Characteristics

Model No	:	BA38-00920
Main Family	:	Bulbs & Tubes
Sub Family	:	Filament Bulbs
Type	:	A60
Lamp Shape	:	Non-Directional
Dimmable	:	Not-Dimmable
Light Source	:	LED
Socket	:	E27
Warranty	:	2 years
Class	:	Class II
IP	:	IP20

Electrical Characteristics

Lifetime	:	15000 h
Voltage	:	220-240V
Power Factor	:	>0,5
Material	:	Glass
Working Temperature	:	-20 C+40 C
Frequency	:	50-60 Hz
Current	:	64 mA

Package Informations

N.W.	:	2,90 kgs
G.W.	:	5,50 kgs
PCS/CTN	:	100 pcs
Length	:	645 mm
Width	:	325 mm
Height	:	270 mm
EAN	:	5949097725975

Product Characteristics

Wattage	:	9 w
Color Temperature	:	3000K
Quse Lumen	:	1055 lm
Color Rendering Index (CRI)	:	>80
Energy Efficiency Level	:	E
Beam Angle	:	300° Degrees
Equivalent	:	75 w
Color Category	:	Warm White

Dimensions & Weight

Diameter	:	60 mm
P. Height	:	106 mm
Weight	:	29 gr