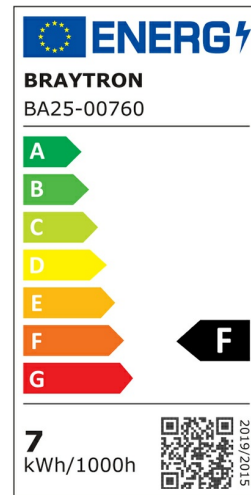
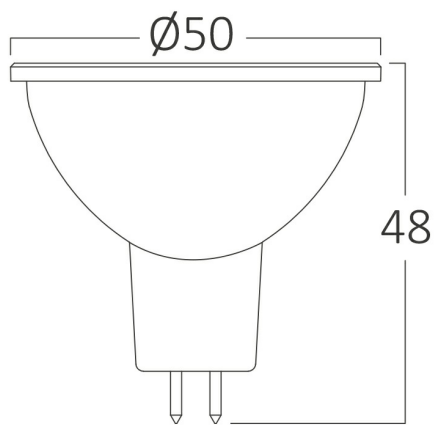


## PRODUCT DATASHEET

MODEL NO BA25-00761

DESCRIPTION BRY-ADVANCE-7W-GU5.3-38D-4000K-LED BULB



### General Characteristics

|              |   |               |
|--------------|---|---------------|
| Model No     | : | BA25-00761    |
| Main Family  | : | Bulbs & Tubes |
| Sub Family   | : | MR16 Bulbs    |
| Type         | : | GU5.3         |
| Lamp Shape   | : | Directional   |
| Dimmable     | : | Not-Dimmable  |
| Light Source | : | LED           |
| Socket       | : | GU5.3         |
| Warranty     | : | 2 years       |
| Class        | : | Class II      |
| IP           | : | IP20          |

### Electrical Characteristics

|                     |   |            |
|---------------------|---|------------|
| Lifetime            | : | 15000 h    |
| Voltage             | : | 220-240V   |
| Power Factor        | : | >0,5       |
| Material            | : | PBT        |
| Working Temperature | : | -20 C+40 C |
| Frequency           | : | 50-60 Hz   |
| Current             | : | 57 mA      |

### Package Informations

|         |   |               |
|---------|---|---------------|
| N.W.    | : | 2,40 kgs      |
| G.W.    | : | 4,25 kgs      |
| PCS/CTN | : | 100 pcs       |
| Length  | : | 530 mm        |
| Width   | : | 275 mm        |
| Height  | : | 140 mm        |
| EAN     | : | 5949097711527 |

### Product Characteristics

|                             |   |               |
|-----------------------------|---|---------------|
| Wattage                     | : | 7 w           |
| Color Temperature           | : | 4000K         |
| Quse Lumen                  | : | 530 lm        |
| Color Rendering Index (CRI) | : | >80           |
| Energy Efficiency Level     | : | F             |
| Beam Angle                  | : | 38° Degrees   |
| Equivalent                  | : | 70 w          |
| Color Category              | : | Natural White |

### Dimensions & Weight

|           |   |       |
|-----------|---|-------|
| Diameter  | : | 50 mm |
| P. Height | : | 48 mm |
| Weight    | : | 24 gr |