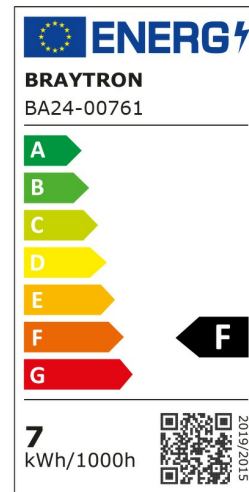
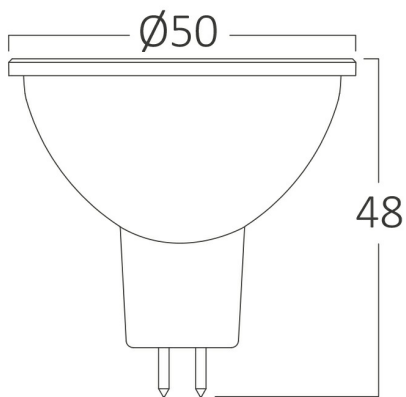


Braytron

PRODUCT DATASHEET

MODEL NO BA24-00761

DESCRIPTION BRY-ADVANCE-7W-GU5.3-110D-4000K-LED BULB



BRAYTRON SRL

Bulavardul iuliu maniu, Nr.616, Sector 6, 061129, Bucuresti-ROMANIA

info@braytron.com

www.braytron.com

General Characteristics

Model No	:	BA24-00761
Main Family	:	Bulbs & Tubes
Sub Family	:	MR16 Bulbs
Type	:	GU5.3
Lamp Shape	:	Non-Directional
Dimmable	:	Not-Dimmable
Light Source	:	LED
Socket	:	GU5.3
Warranty	:	2 years
Class	:	Class II
IP	:	IP20

Electrical Characteristics

Lifetime	:	15000 h
Voltage	:	220-240V
Power Factor	:	>0,5
Material	:	PBT
Working Temperature	:	-20 C+40 C
Frequency	:	50-60 Hz
Current	:	57 mA

Package Informations

N.W.	:	2,12 kgs
G.W.	:	3,65 kgs
PCS/CTN	:	100 pcs
Length	:	530 mm
Width	:	275 mm
Height	:	140 mm
EAN	:	5949097711558

Product Characteristics

Wattage	:	7 w
Color Temperature	:	4000K
Quse Lumen	:	580 lm
Color Rendering Index (CRI)	:	>80
Energy Efficiency Level	:	G
Beam Angle	:	110° Degrees
Equivalent	:	70 w
Color Category	:	Natural White

Dimensions & Weight

Diameter	:	50 mm
P. Height	:	48 mm
Weight	:	21 gr