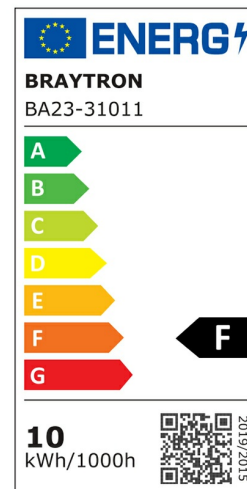
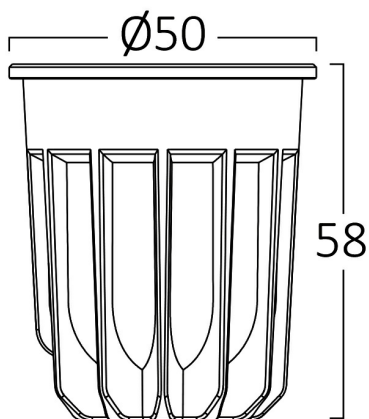


# Braytron

## PRODUCT DATASHEET

MODEL NO BA23-31011

DESCRIPTION BRY-PREMIUM-10W-4000K-38D-MR16 LED MODUL



BRAYTRON SRL

Bulavardul iuliu maniu, Nr.616, Sector 6, 061129, Bucuresti-ROMANIA

info@braytron.com

www.braytron.com

### General Characteristics

Model No	:	BA23-31011
Main Family	:	Bulbs & Tubes
Sub Family	:	MR16 Modul
Type	:	Led Modul
Lamp Shape	:	Directional
Dimmable	:	Not-Dimmable
Light Source	:	LED
Socket	:	MR16
Warranty	:	2 years
Class	:	Class II
IP	:	IP20

### Electrical Characteristics

Lifetime	:	15000 h
Voltage	:	220-240V
Power Factor	:	>0,5
Material	:	PBT
Working Temperature	:	-20 C+40 C
Frequency	:	50-60 Hz
Current	:	70 mA

### Package Informations

N.W.	:	5,10 kgs
G.W.	:	6,40 kgs
PCS/CTN	:	100 pcs
Length	:	305 mm
Width	:	305 mm
Height	:	285 mm
EAN	:	5949097730368

### Product Characteristics

Wattage	:	10 w
Color Temperature	:	4000K
Quse Lumen	:	900 lm
Color Rendering Index (CRI)	:	>80
Energy Efficiency Level	:	F
Beam Angle	:	38° Degrees
Equivalent	:	70 w
Color Category	:	Natural White

### Dimensions & Weight

Diameter	:	50 mm
P. Height	:	58 mm
Weight	:	51 gr