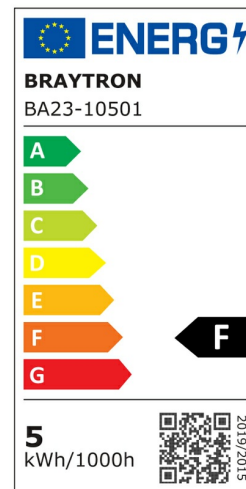
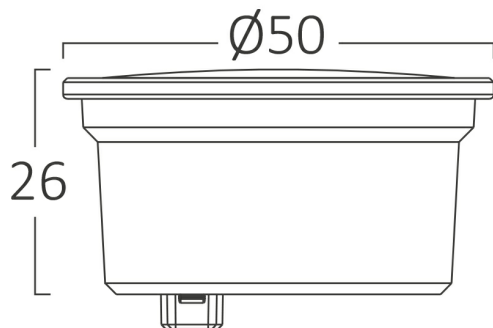


## PRODUCT DATASHEET

MODEL NO BA23-10501

DESCRIPTION BRY-PREMIUM-5W-4000K-45D-MR16 LED MODUL



### General Characteristics

Model No	:	BA23-10501
Main Family	:	Bulbs & Tubes
Sub Family	:	MR16 Bulbs
Type	:	Led Modul
Body Color	:	White
Lamp Shape	:	Directional
Dimmable	:	Not-Dimmable
Light Source	:	LED
Socket	:	MR16
Warranty	:	2 years
Class	:	Class II
IP	:	IP20

### Electrical Characteristics

Lifetime	:	15000 h
Voltage	:	220-240V
Power Factor	:	>0,5
Material	:	PBT
Working Temperature	:	-20 C+40 C
Frequency	:	50-60 Hz
Current	:	43 mA

### Package Informations

N.W.	:	3,20 kgs
G.W.	:	4,40 kgs
PCS/CTN	:	100 pcs
Length	:	530 mm
Width	:	280 mm
Height	:	135 mm
EAN	:	5949097730795

### Product Characteristics

Wattage	:	5 w
Color Temperature	:	4000K
Quse Lumen	:	380 lm
Color Rendering Index (CRI)	:	>80
Energy Efficiency Level	:	F
Beam Angle	:	45° Degrees
Equivalent	:	50 w
Color Category	:	Natural White

### Dimensions & Weight

Diameter	:	50 mm
P. Height	:	26 mm
Weight	:	32 gr