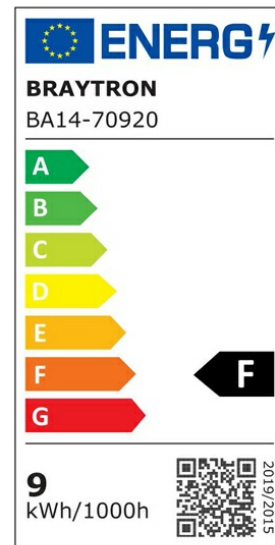
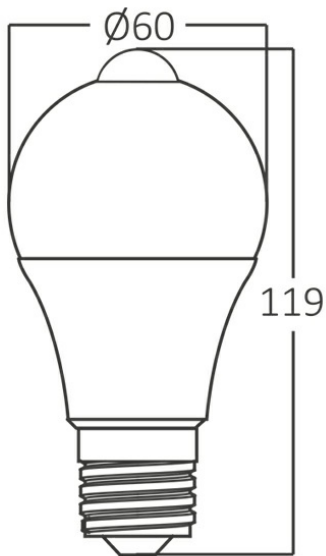


PRODUCT DATASHEET

MODEL NO BA14-70923

DESCRIPTION BRY-ADVANCE-9W-MO.SENS.-E27-A60-6500K-LED BULB



General Characteristics

| | | |
|--------------|---|-----------------|
| Model No | : | BA14-70923 |
| Main Family | : | Bulbs & Tubes |
| Sub Family | : | A Shape Bulbs |
| Type | : | A60 |
| Lamp Shape | : | Non-Directional |
| Dimmable | : | Not-Dimmable |
| Light Source | : | LED |
| Socket | : | E27 |
| Warranty | : | 2 years |
| Class | : | Class II |
| IP | : | IP20 |

Electrical Characteristics

| | | |
|---------------------|---|------------|
| Lifetime | : | 15000 h |
| Voltage | : | 220-240V |
| Power Factor | : | >0,9 |
| Material | : | PBT |
| Working Temperature | : | -20 C+40 C |
| Frequency | : | 50-60 Hz |
| Current | : | 75 mA |

Package Informations

| | | |
|---------|---|---------------|
| N.W. | : | 4,80 kgs |
| G.W. | : | 7,55 kgs |
| PCS/CTN | : | 100 pcs |
| Length | : | 640 mm |
| Width | : | 330 mm |
| Height | : | 275 mm |
| EAN | : | 5949097723476 |

Product Characteristics

| | | |
|-----------------------------|---|--------------|
| Wattage | : | 9 w |
| Color Temperature | : | 6500K |
| Quse Lumen | : | 806 lm |
| Color Rendering Index (CRI) | : | >80 |
| Energy Efficiency Level | : | F |
| Beam Angle | : | 180° Degrees |
| Equivalent | : | 60 w |
| Color Category | : | Cool White |

Dimensions & Weight

| | | |
|-----------|---|--------|
| Diameter | : | 60 mm |
| P. Height | : | 119 mm |
| Weight | : | 48 gr |

Sensor Informations

| | | |
|---------------------|---|---------------|
| Sensor Type | : | Motion |
| Detection Distance | : | 3m-8m |
| Installation Height | : | 2,2m-3m |
| Lux | : | 30 lux |
| Lighting Time | : | 40sec.-50sec. |