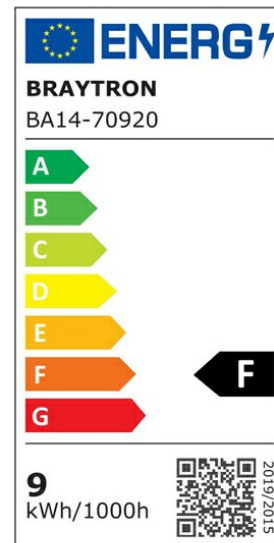
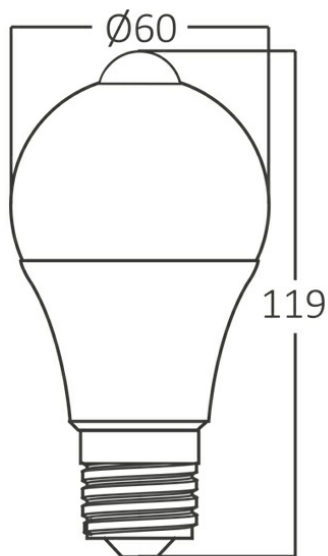


PRODUCT DATASHEET

MODEL NO BA14-70920

DESCRIPTION BRY-ADVANCE-9W-MO.SENS.-E27-A60-3000K-LED BULB



General Characteristics

Model No	:	BA14-70920
Main Family	:	Bulbs & Tubes
Sub Family	:	A Shape Bulbs
Type	:	A60
Lamp Shape	:	Non-Directional
Dimmable	:	Not-Dimmable
Light Source	:	LED
Socket	:	E27
Warranty	:	2 years
Class	:	Class II
IP	:	IP20

Electrical Characteristics

Lifetime	:	15000 h
Voltage	:	220-240V
Power Factor	:	>0,9
Material	:	PBT
Working Temperature	:	-20 C+40 C
Frequency	:	50-60 Hz
Current	:	75 mA

Package Informations

N.W.	:	4,80 kgs
G.W.	:	7,55 kgs
PCS/CTN	:	100 pcs
Length	:	640 mm
Width	:	330 mm
Height	:	275 mm
EAN	:	5949097723469

Product Characteristics

Wattage	:	9 w
Color Temperature	:	3000K
Quse Lumen	:	806 lm
Color Rendering Index (CRI)	:	>80
Energy Efficiency Level	:	F
Beam Angle	:	180° Degrees
Equivalent	:	60 w
Color Category	:	Warm White

Dimensions & Weight

Diameter	:	60 mm
P. Height	:	119 mm
Weight	:	48 gr

Sensor Informations

Sensor Type	:	Motion
Detection Distance	:	3m-8m
Installation Height	:	2,2m-3m
Lux	:	30 lux
Lighting Time	:	40sec.-50sec.